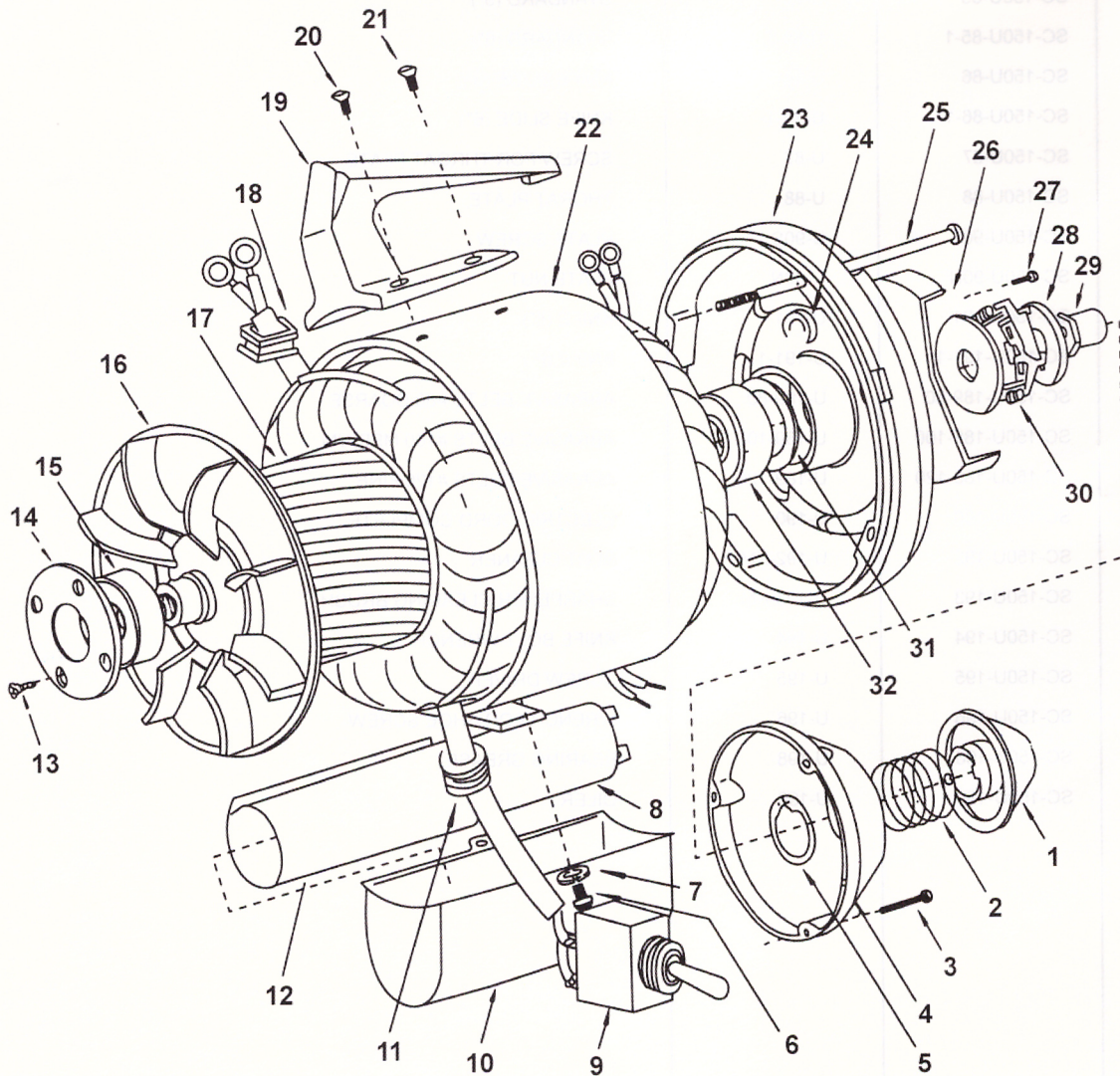
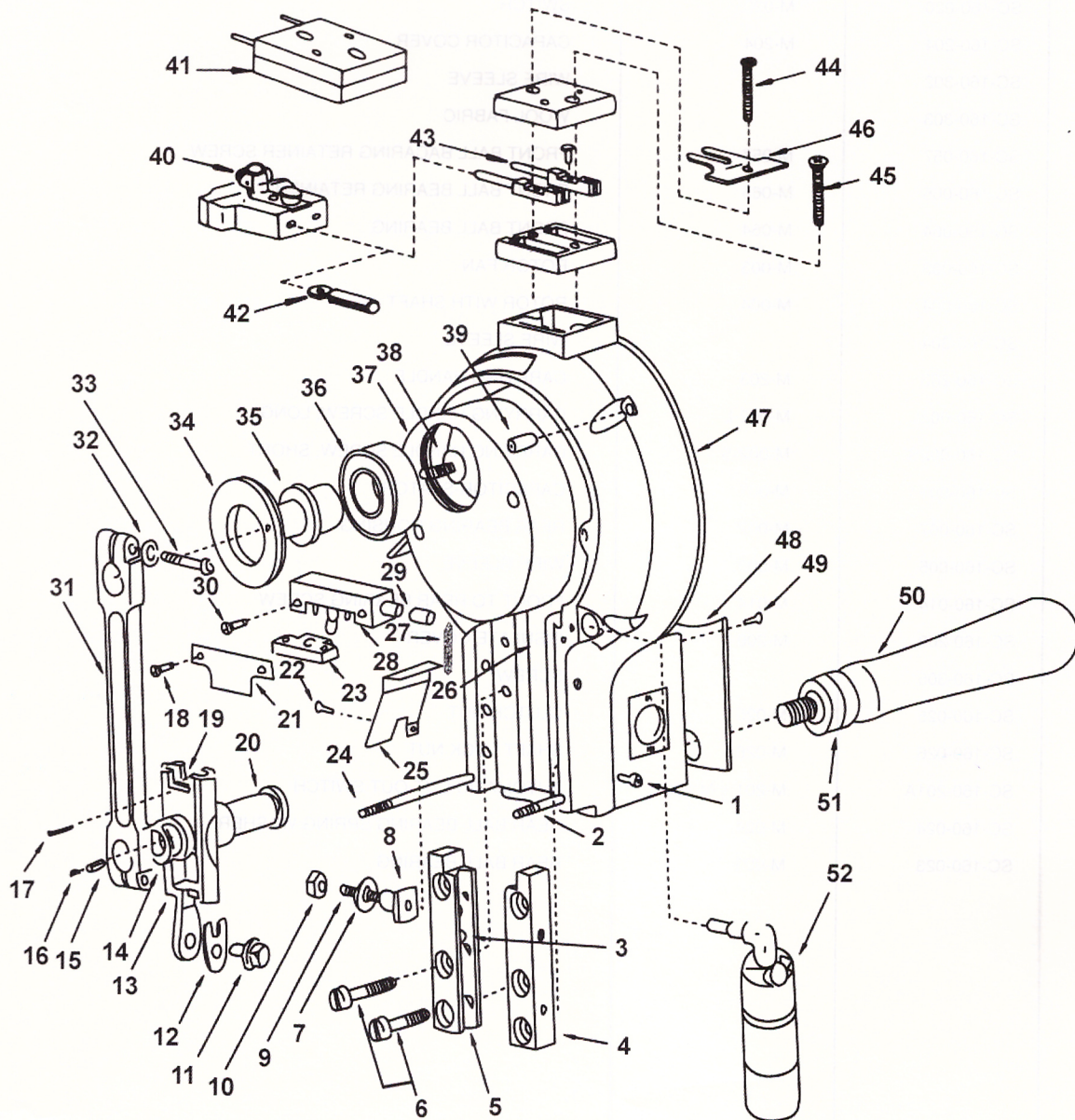


MOTOR & HOUSING MECHANISM



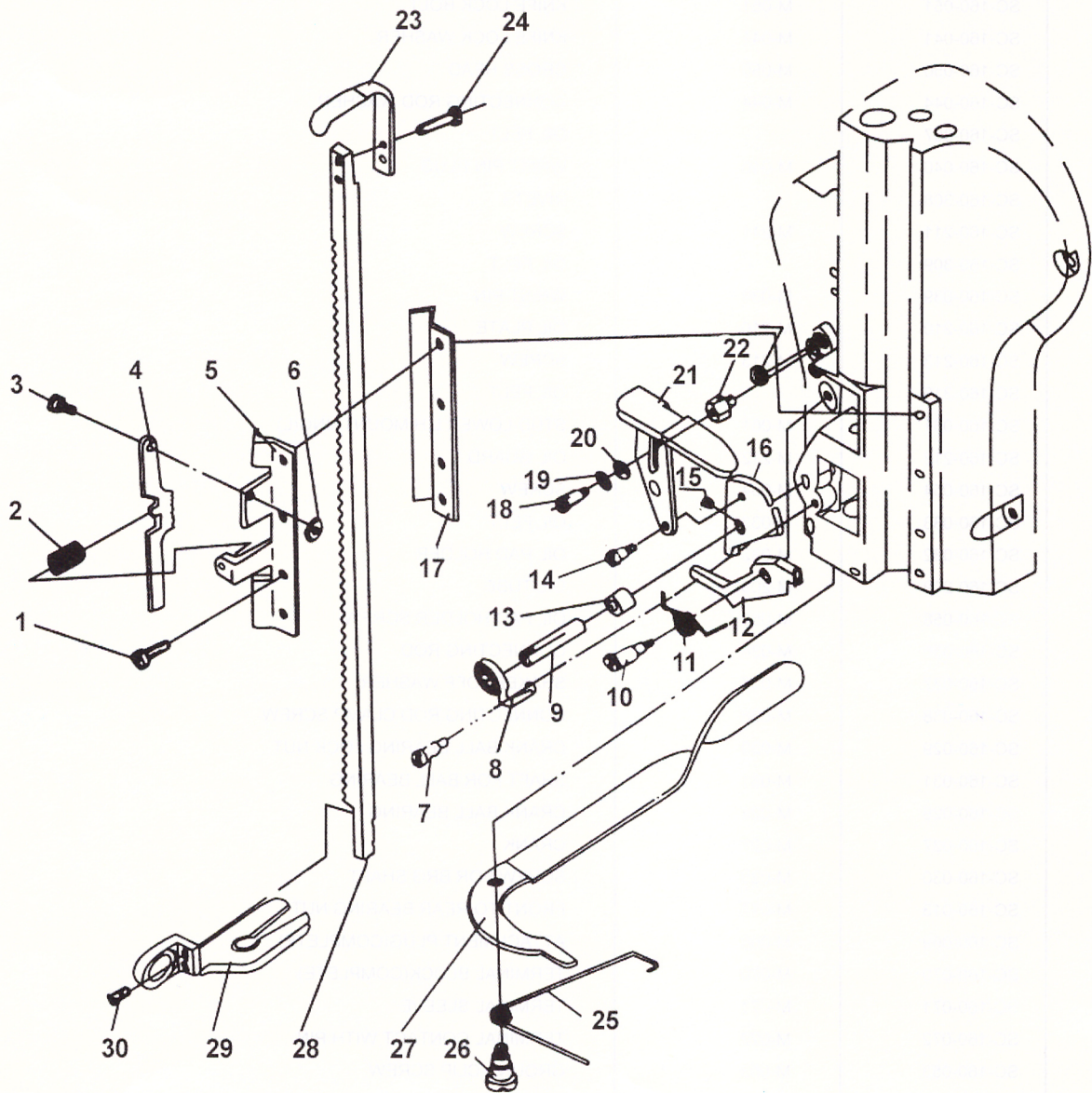
1	SC-160-009	M-009	TURNING KNOB
2	SC-160-021	M-021	CLUTCH SPRING
3	SC-160-006	M-006	DUST CAP SCREW
4	SC-160-008	M-008	DUST CAP
5	SC-160-022	M-022	RETAINING RING
6	SC-160-205	M-205	SCREW FOR CAPACITOR COVER
7	SC-160-301		WASHER
8	SC-160-206	M-206	CAPACITOR
9	SC-160-020	M-020	SWITCH
10	SC-160-204	M-204	CAPACITOR COVER
11	SC-160-302		WIRE SLEEVE
12	SC-160-303		WOOL FABRIC
13	SC-160-057	M-057	FRONT BALL BEARING RETAINER SCREW
14	SC-160-065	M-065	FRONT BALL BEARING RETAINER
15	SC-160-064	M-064	FRONT BALL BEARING
16	SC-160-003	M-003	ROTOR FAN
17	SC-160-004	M-004	ROTOR WITH SHAFT
18	SC-160-304		WIRE SLEEVE
19	SC-160-203	M-203	CARRYING HANDLE
20	SC-160-002L	M-002-L	CARRYING HANDLE SCREW, LONG
21	SC-160-002S	M-002-S	CARRYING HANDLE SCREW, SHORT
22	SC-160-001	M-001	CAPACITOR-STATOR
23	SC-160-007	M-007	REAR BEARING HOUSING
24	SC-160-005	M-005	WIRE SLEEVE
25	SC-160-014	M-014	FRONT TO REAR BEARING SCREW
26	SC-160-200	M-200	INSULATE COVER
27	SC-160-305		SCREW
28	SC-160-025	M-025	CLUTCH NUT
29	SC-160-026	M-026	SHAFT LOCK NUT
30	SC-160-201A	M-201 + M-202	AUTOMATIC CUT-OUT SWITCH
31	SC-160-024	M-024	REAR BALL BEARING SPRING WASHER
32	SC-160-023	M-023	REAR BALL BEARING

FRONT COVER MECHANISM



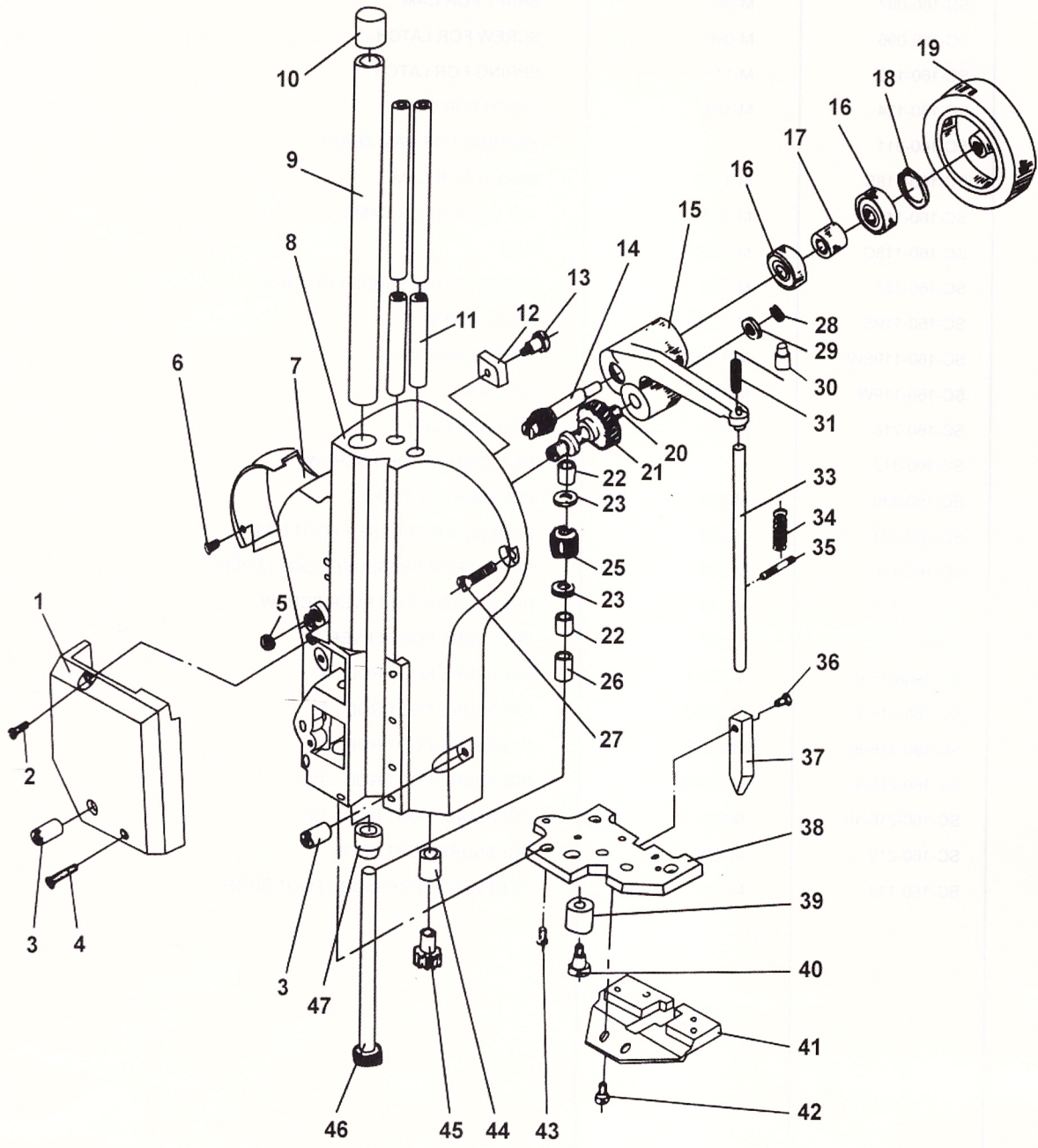
1	SC-160-047	M-047	GUIDE LOCK SCREW
2	SC-160-062	M-062	STUD LOWER L.H.MOUNTAING(S)
3	SC-160-306		GUIDE FELT
4	SC-160-048	M-048	R.H.GUIDE
5	SC-160-049	M-049	L.H.GUIDE
6	SC-160-059	M-059	GUIDE HOLD DOWN SCREW
7	SC-160-043	M-043	GUIDE WASHER
8	SC-160-046	M-046	GUIDE ADJUSTING NUT
9	SC-160-045	M-045	GUIDE ADJUSTING SCREW
10	SC-160-042	M-042	NUT FOR GUIDE SCREW
11	SC-160-051	M-051	KNIFE LOCK BOLT
12	SC-160-041	M-041	KNIFE LOCK WASHER
13	SC-160-050	M-050	CROSS HEAD
14	SC-160-044	M-044	CONNECTING ROD WASHER
15	SC-160-307		OIL FELT
16	SC-160-040	M-040	WRIST PIN PLUG
17	SC-160-308		RIVETS
18	SC-160-211	M-211	SCREW
19	SC-160-309		OIL FELT
20	SC-160-039	M-039	WRIST PIN
21	SC-160-210	M-210	OIL PLATE
22	SC-160-213	M-213	SCREW
23	SC-160-310		OIL FELT
24	SC-160-061	M-061	STUD LOWER L.H.MOUNTAING(L)
25	SC-160-212	M-212	OIL GUARD
26	SC-160-054	M-054	SCREW
27	SC-160-033	M-033	OIL FELT
28	SC-160-032	M-032	OIL PAD HOLDER
29	SC-160-209	M-209	OIL TUBE
30	SC-160-058	M-058	OIL PAD HOLDER SCREW
31	SC-160-036	M-036	CONNECTING ROD
32	SC-160-037	M-037	SHAKEPROFF WASHER
33	SC-160-038	M-038	CONNECTING ROD CLAMP SCREW
34	SC-160-029	M-029	CRANK BALL BEARING LOCK NUT
35	SC-160-031	M-031	SHAFT FOR BALL BEARING
36	SC-160-028	M-028	CRANK BALL BEARING
37	SC-160-027	M-027	CRANK
38	SC-160-030	M-030	SCREW FOR BRG SHAFT
39	SC-160-013	M-013	FRONT TO REAR BEARING NUT
40	SC-160-069	M-069	ATTACHMENT PLUG(COMPLETE)
41	SC-160-070	M-070	TERMINAL BLOCK(COMPLETE)
42	SC-160-071	M-071	TERMINAL SLEEVE
43	SC-160-072	M-072	TERMINAL CONTACT WITH PIN
44	SC-160-053	M-053	GROUND CLIP SCREW
45	SC-160-052	M-052	TERMINAL BLOCK SCREW
46	SC-160-066	M-066	GROUND CLIP
47	SC-160-055	M-055	FRONT BEARING HOUSING
48	SC-160-215	M-215	SWITCH COVER
49	SC-160-075	M-075	SWITCH COVER SCREW
50	SC-160-073	M-073	OPERATING HANDLE
51	SC-160-074	M-074	OPERATING HANDLE LOCK NUT
52	SC-160-034A	M-034 + M-035	OIL CAP

SHARPENER HOUSING MECHANISM



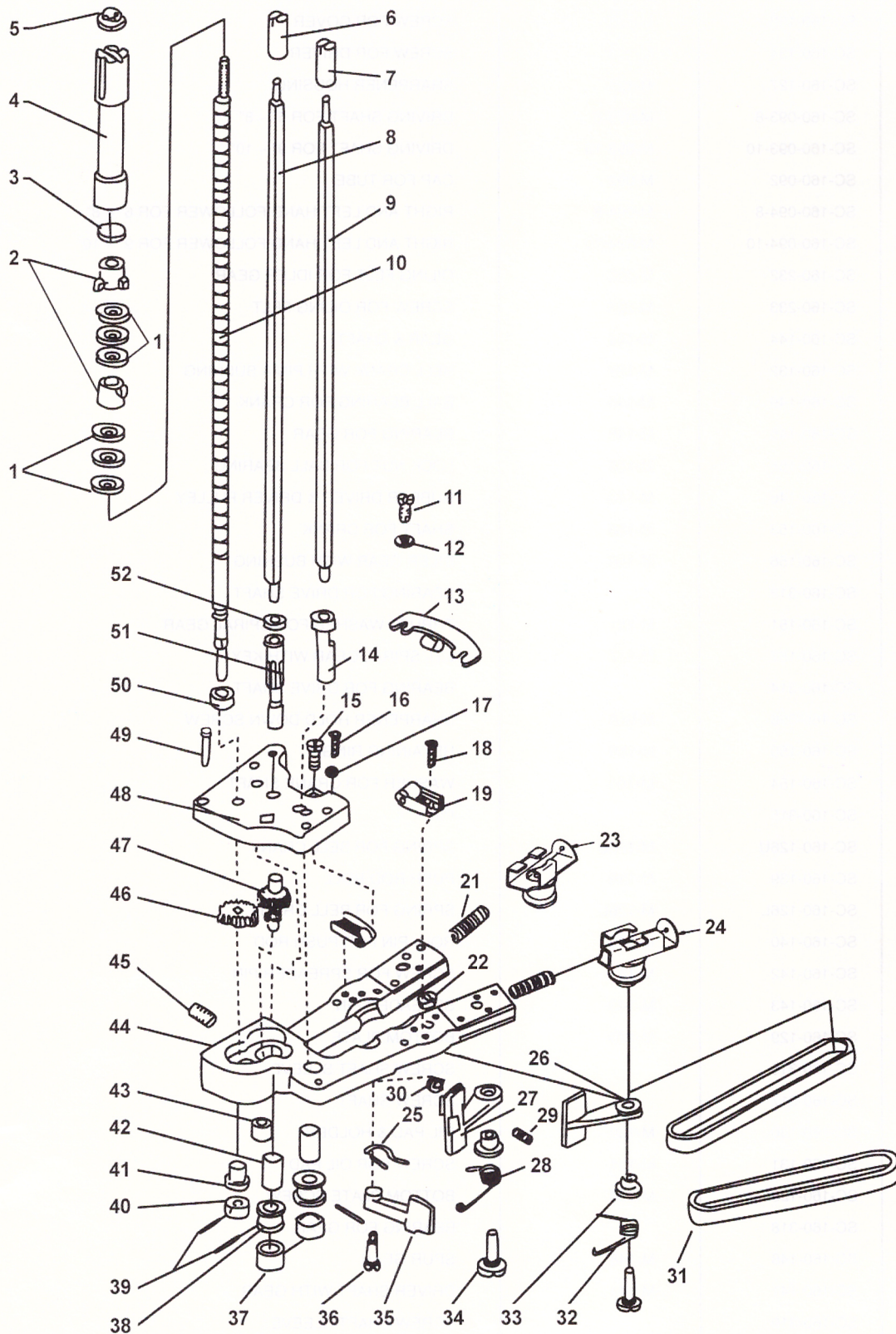
1	SC-160-099	M-099	PRESS FOOT LOCK BRACKET SCREW
2	SC-160-109	M-109	SPRING FOR PRESSURE FOOT LOCK
3	SC-160-121S	M-121S	SCREW FOR PRESS FT LOCK
4	SC-160-120	M-120	LOCK (ONLY) PRESSURE FOOT
5	SC-160-122	M-122	PRESSURE FOOT LOCK BRACKET
6	SC-160-121N	M-121N	NUT FOR PRESS FT LOCK
7	SC-160-098	M-098	CAM SHAFT SPRING SCREW
8	SC-160-111	M-111	CAM SPRING
9	SC-160-097	M-097	SHAFT FOR CAM
10	SC-160-096	M-096	SCREW FOR LATCH
11	SC-160-110	M-110	SPRING FOR LATCH
12	SC-160-124	M-124	LATCH FOR CAM
13	SC-160-311		BEARING FOR CAM SHAFT
14	SC-160-118S	M-118S	SCREW FOR CAM
15	SC-160-117	M-117	SET SCREW FOR CAM
16	SC-160-118C	M-118C	CAM
17	SC-160-123	M-123	SLIDE FOR PRESSURE FOOT ROD
18	SC-160-119S	M-119S	LOCK SCREW
19	SC-160-119SW	M-119SW	SPRING WASHER
20	SC-160-119W	M-119W	WASHER
21	SC-160-218	M-218	RELEASE EVER
22	SC-160-312		HEXAGON-HEADED SCREW
23	SC-160-230	M-230	PRESSER FOOT LIFT
24	SC-160-231	M-231	SCREW FOR PRESSER FOOT LIFT
25	SC-160-116	M-116	SPRING FOR PRESSURE FOOT LEVER
26	SC-160-115	M-115	PRESSURE FOOT LEVER SCREW
27	SC-160-217	M-217	PRESSURE FOOT LEVER
28	SC-160-216-6	M-216-6	PRESSURE FOOT ROD , 6"
	SC-160-216-7	M-216-7	PRESSURE FOOT ROD , 7"
	SC-160-216-8	M-216-8	PRESSURE FOOT ROD , 8"
	SC-160-216-9	M-216-9	PRESSURE FOOT ROD , 9"
	SC-160-216-10	M-216-10	PRESSURE FOOT ROD , 10"
29	SC-160-219	M-219	PRESSURE FOOT SHOE
30	SC-160-113	M-113	SCREW FOR PRESSURE FOOT SHOE

SHARPENER HOUSING MECHANISM



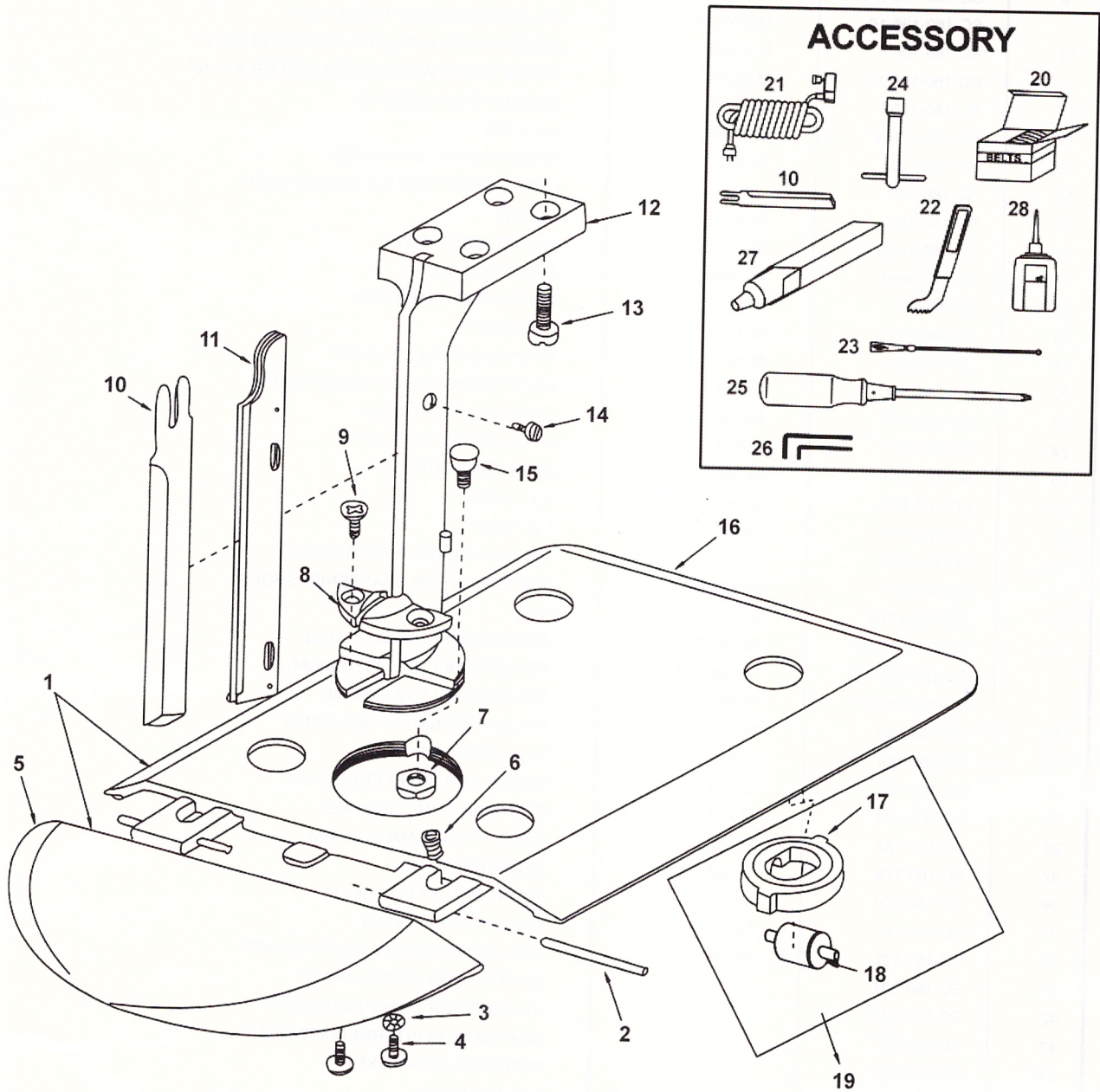
1	SC-160-101	M-101	COVER OVER CAM
2	SC-160-100S	M-100S	SCREW FOR COVER(S)
3	SC-160-060	M-060	LOWER L.H>SHARPENER HOLD DOWN NUT
4	SC-160-100L	M-100L	SCREW FOR COVER(L)
5	SC-160-152	M-152	LOCK NUT FOR CRANK SHAFT
6	SC-160-133	M-133	SCREW FOR COVER
7	SC-160-134	M-134	SCREW FOR DRIVER
8	SC-160-127	M-127	SHARPENER HOUSING
9	SC-160-093-8	M-093-8	DRIVING SHAFT FOR 6" ~ 8"
	SC-160-093-10	M-093-10	DRIVING SHAFT FOR 9" ~ 10"
10	SC-160-092	M-092	CAP FOR TUBE
11	SC-160-094-8	M-094-8	RIGHT AND LEFT HAND FOLLOWER FOR 6" ~ 8"
	SC-160-094-10	M-094-10	RIGHT AND LEFT HAND FOLLOWER FOR 9" ~ 10"
12	SC-160-232	M-232	OILING FELT FOR IDLER GEAR
13	SC-160-233	M-233	SCREW FOR OILING FELT
14	SC-160-144	M-144	GEAR & SHAFT
15	SC-160-132	M-132	BELL CRANK WITH PIN & BUSHING
16	SC-160-149	M-149	BALL BEARING FOR CRANK
17	SC-160-145	M-145	BEARING FOR GEAR
18	SC-160-155	M-155	LOCK NUT FOR BALL BEARING
19	SC-160-146	M-146	RUBBER DRIVER & DRIVER PULLEY
20	SC-160-153	M-153	SHAFT FOR CRANK
21	SC-160-156	M-156	IDLER GEAR WITH BUSHING
22	SC-160-313		BEARING FOR DRIVE SHAFT
23	SC-160-151	M-151	THRUST WASHER FOR SPIRAL GEAR
25	SC-160-157	M-157	L.H. SPIRAL GEAR WITH KEY
26	SC-160-314		BEARING FOR DRIVE SHAFT
27	SC-160-056	M-056	SHARPENER HOLD DOWN SCREW
28	SC-160-150	M-150	RETAINING RING
29	SC-160-154	M-154	WASHER FOR CRANK SHAFT
30	SC-160-315		PIN
31	SC-160-126U	M-126U	SPRING FOR BELL CRANK
33	SC-160-139	M-139	PUSH ROD ROLL
34	SC-160-126L	M-126L	SPRING FOR BELL CRANK
35	SC-160-140	M-140	ROLL PIN FOR PUSH ROD
36	SC-160-142	M-142	SCREW FOR SPREADER PIN
37	SC-160-143	M-143	SPREADER PIN
38	SC-160-129	M-129	BOTTOM PLATE
39	SC-160-316		SCREW SHAFT SLEEVE
40	SC-160-317		SCREW SHAFT
41	SC-160-130	M-130	OIL PAD & HOLDER
42	SC-160-131	M-131	SCREW FOR OIL PAD
43	SC-160-128	M-128	BOTTOM PLATE SCREW
44	SC-160-318		BEARING FOR GEAR
45	SC-160-148	M-148	SPUR GEAR
46	SC-160-141	M-141	DRIVER SHAFT WITH GEAR
47	SC-160-319		SCREW SHAFT SLEEVE

LOWER GEAR BRACKET MECHANISM



1	SC-160-229	M-229	THRUST BALL BEARING
2	SC-160-104	M-104	NUT FOR SCREW SHAFT L.H. & R.H.
3	SC-160-105	M-105	WASHER FOR SCREW SHAFT L.H.
4	SC-160-107	M-107	SPACER TUBE
5	SC-160-108	M-108	STOP NUT FOR SCREW SHAFT
6	SC-160-137	M-137	LEFT HAND FOLLOWER NUT
7	SC-160-135	M-135	RIGHT HAND FOLLOWER NUT
8	SC-160-138-8	M-138-8	L.H. SQUARE SHAFT FOR 6" ~ 8"
	SC-160-138-10	M-138-10	L.H. SQUARE SHAFT FOR 9" ~ 10"
9	SC-160-136-8	M-136-8	R.H. SQUARE SHAFT FOR 6" ~ 8"
	SC-160-136-10	M-136-10	R.H. SQUARE SHAFT FOR 9" ~ 10"
10	SC-160-106-8	M-106-8	SCREW SHAFT WITH EXTENSION FOR 6" ~ 8"
	SC-160-106-10	M-106-10	SCREW SHAFT WITH EXTENSION FOR 9" ~ 10"
11	SC-160-175S	M-175S	SCREW FOR GUIDE BACK
12	SC-160-175W	M-175W	WASHER
13	SC-160-173	M-173	GUIDE BACK OF STANDARD
14	SC-160-320		LOWER SHAFT FOR R.H. SQUARESHAFT
15	SC-160-163	M-163	SCREW
16	SC-160-165S	M-165S	ADJUSTING SCREW
17	SC-160-165N	M-165N	ADJUSTING NUT
18	SC-160-161	M-161	SCREW FOR STABILIZER
19	SC-160-172	M-172	STABILIZER
21	SC-160-181	M-181	SPRING FOR PULLEY SLIDE
22	SC-160-184	M-184	NUT FOR SHARPENER SHOE SCREW
23	SC-160-176	M-176	L.H. SLIDE WITH PULLEY
24	SC-160-177	M-177	R.H. SLIDE WITH PULLEY
25	SC-160-188	M-188	SPRING FOR ARM
26	SC-160-169	M-169	R.H. SHOE
27	SC-160-170	M-170	L.H. SHOE
28	SC-160-187	M-187	L.H. SHARPENER SHOE SPRING
29	SC-160-171	M-171	SET SCREW FOR SHARPENER SHOE
30	SC-160-171N	M-171N	NUT
31	SC-160-189-80	M-189-80	ABRASIVE BELTS #80 COARSE
	SC-160-189-100	M-189-100	ABRASIVE BELTS #100 MEDIUM
	SC-160-189-120	M-189-120	ABRASIVE BELTS #120 FINE
32	SC-160-186	M-186	R.H. SHARPENER SHOE SPRING
33	SC-160-168	M-168	BUSHING FOR SHOE
34	SC-160-185	M-185	SCREW FOR SHARPENER SHOE
35	SC-160-183	M-183	CLAMPING ARM FOR SHOE
36	SC-160-182	M-182	SCREW FOR CLAMPING ARM
37	SC-160-178	M-178	NEOPRENE BAND
38	SC-160-179	M-179	FRONT PULLEY FOR BELTS
39	SC-160-180	M-180	ROLL PIN FOR PULLEY
40	SC-160-102	M-102	COLLAR FOR LOWER SCREW SHAFT
41	SC-160-321		BEARING FOR SCREW SHAFT
42	SC-160-322		BEARING FOR SHAFT EXTENSION
43	SC-160-323		BEARING FOR INTERMEDIATE GEAR
44	SC-160-162	M-162	LOWER GEAR BRACKET
45	SC-160-160	M-160	GREASE PLUG
46	SC-160-166	M-166	GEAR ON SCREW SHAFT
47	SC-160-167	M-167	INTERMEDIATE GEAR
48	SC-160-164	M-164	LOWER GEAR BRACKET GEAR COVER
49	SC-160-158	M-158	SCREW FOR GEAR COVER
50	SC-160-324		WASHER FOR SCREW SHAFT
51	SC-160-325		LOWER SHAFT FOR R.H. SQUARE SHAFT
52	SC-160-138W	M-138W	L.H. SQUARE SHAFT WASHER

STANDARD & BASE PLATES



1	SC-160-078	M-078	PLATE COMPLETE
2	SC-160-081	M-081	HINGE PIN SHORT
3	SC-160-089	M-089	LOCK WASHER
4	SC-160-082	M-082	HINGE PIN CLAMP SCREW
5	SC-160-077S	M-077S	PLATE WING
6	SC-160-091	M-091	PLATE WING TENSION SPRING
7	SC-160-090N	M-090N	PLATE NUT
8	SC-160-088	M-088	THORAT PLATE
9	SC-160-087	M-087	SCREW FOR THROAT PLATE
10	SC-160-191-6	M-191-6	KNIFE 6"
	SC-160-191-7	M-191-7	KNIFE 7"
	SC-160-191-8	M-191-8	KNIFE 8"
	SC-160-191-9	M-191-9	KNIFE 9"
	SC-160-191-10	M-191-10	KNIFE 10"
11	SC-160-086-6	M-086-6	KNIFE SLIDE 6"
	SC-160-086-7	M-086-7	KNIFE SLIDE 7"
	SC-160-086-8	M-086-8	KNIFE SLIDE 8"
	SC-160-086-9	M-086-9	KNIFE SLIDE 9"
	SC-160-086-10	M-086-10	KNIFE SLIDE 10"
12	SC-160-085-6	M-085-6	STANDARD 6"
	SC-160-085-7	M-085-7	STANDARD 7"
	SC-160-085-8	M-085-8	STANDARD 8"
	SC-160-085-9	M-085-9	STANDARD 9"
	SC-160-085-10	M-085-10	STANDARD 10"
13	SC-160-063	M-063	STANDARD-TO-BEARING SCREW
14	SC-160-084	M-084	KNIFE SLIDE SCREW
15	SC-160-090S	M-090S	PLATE SCREW
16	SC-160-077L	M-077L	PLATE
17	SC-160-080R	M-080R	RUBBER
18	SC-160-080C	M-080C	ROLLER
19	SC-160-080	M-080	RUBBER MOUNTED ROLER COMPLETE
20	SC-160-189-80	M-189-80	ABRASIVE BELTS #80 COARSE
	SC-160-189-100	M-189-100	ABRASIVE BELTS #100 MEDIUM
	SC-160-189-120	M-189-120	ABRASIVE BELTS #120 FINE
21	SC-160-190	M-190	ELECTRIC CORD COMPLETE
22	SC-160-192	M-192	SLOT CLEANER
23	SC-160-193	M-193	SHARPENER CLEANING BRUSH
24	SC-160-194	M-194	KNIFE BOLT WRENCH
25	SC-160-195	M-195	SCREW DRIVER
26	SC-160-196	M-196	WRENCH FOR SHOE SCREW
27	SC-160-198	M-198	BEARING GREASE
28	SC-160-199	M-199	OILER