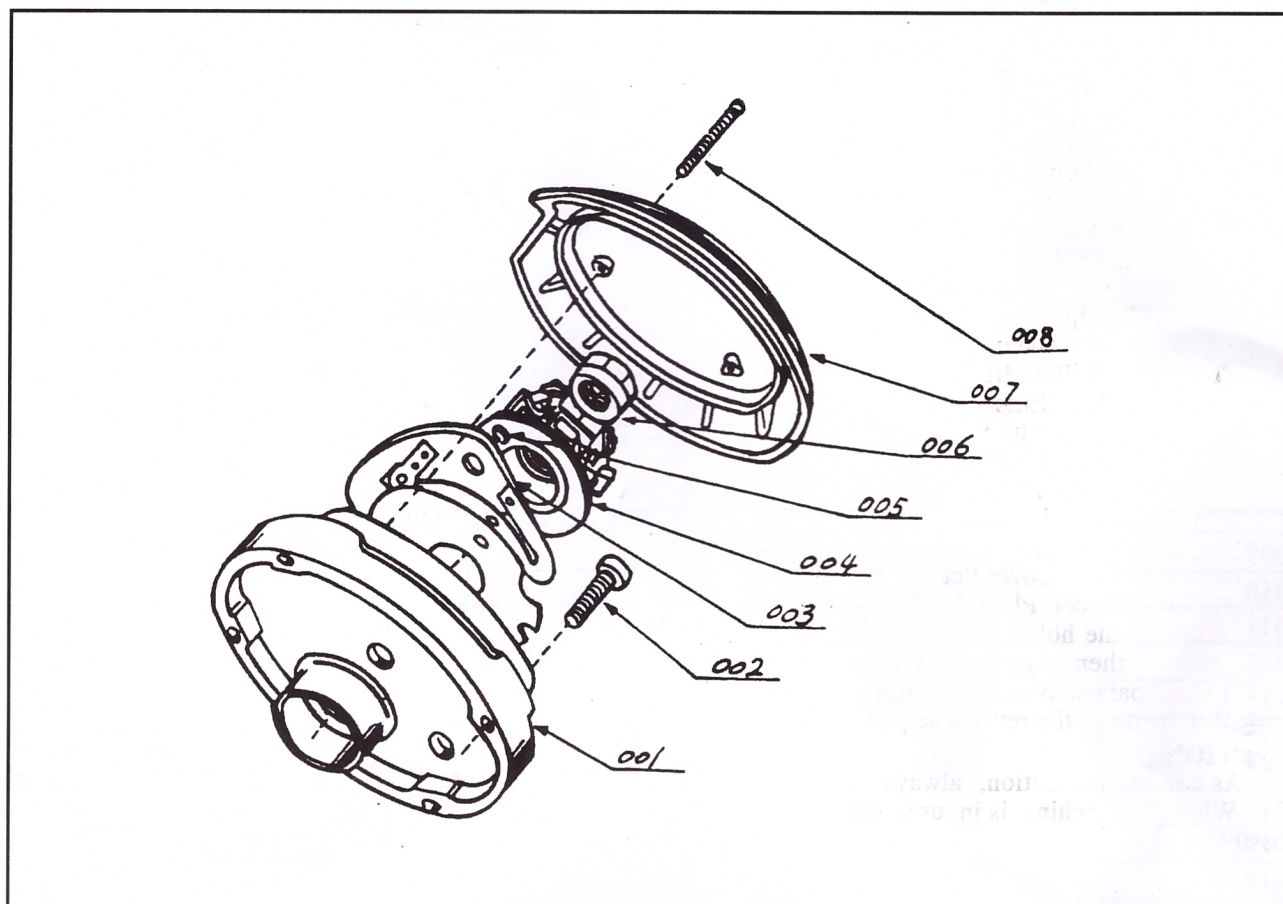
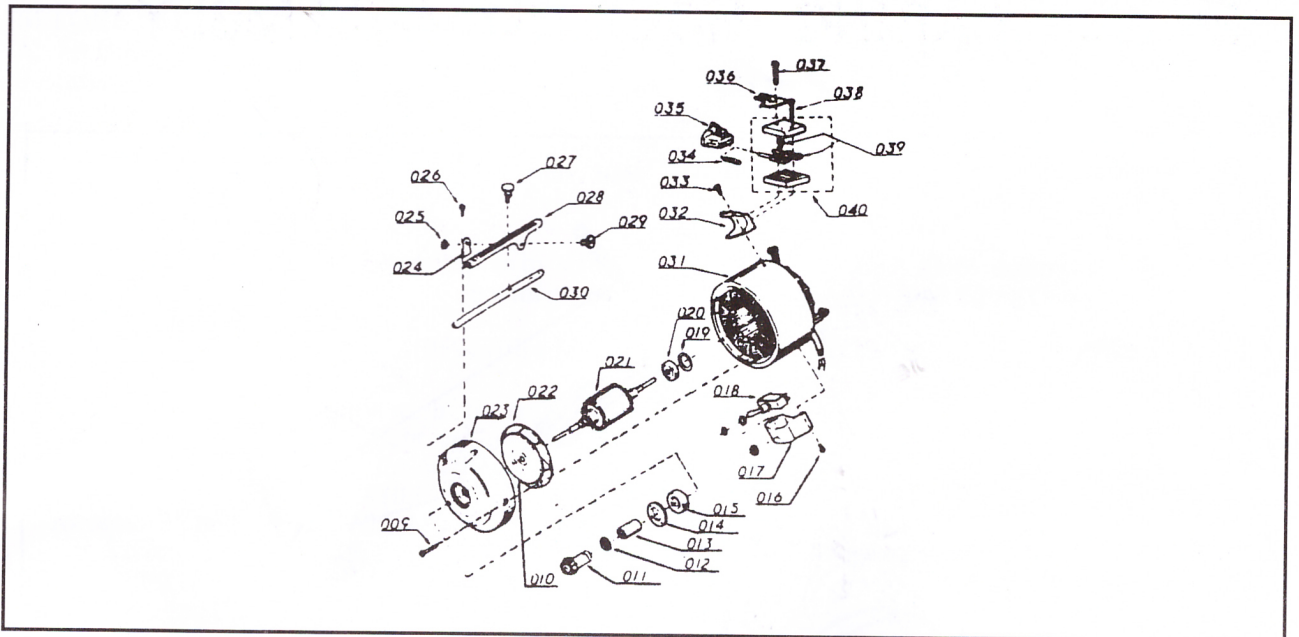


# REAR BEARING HOUSING ASSEMBLY



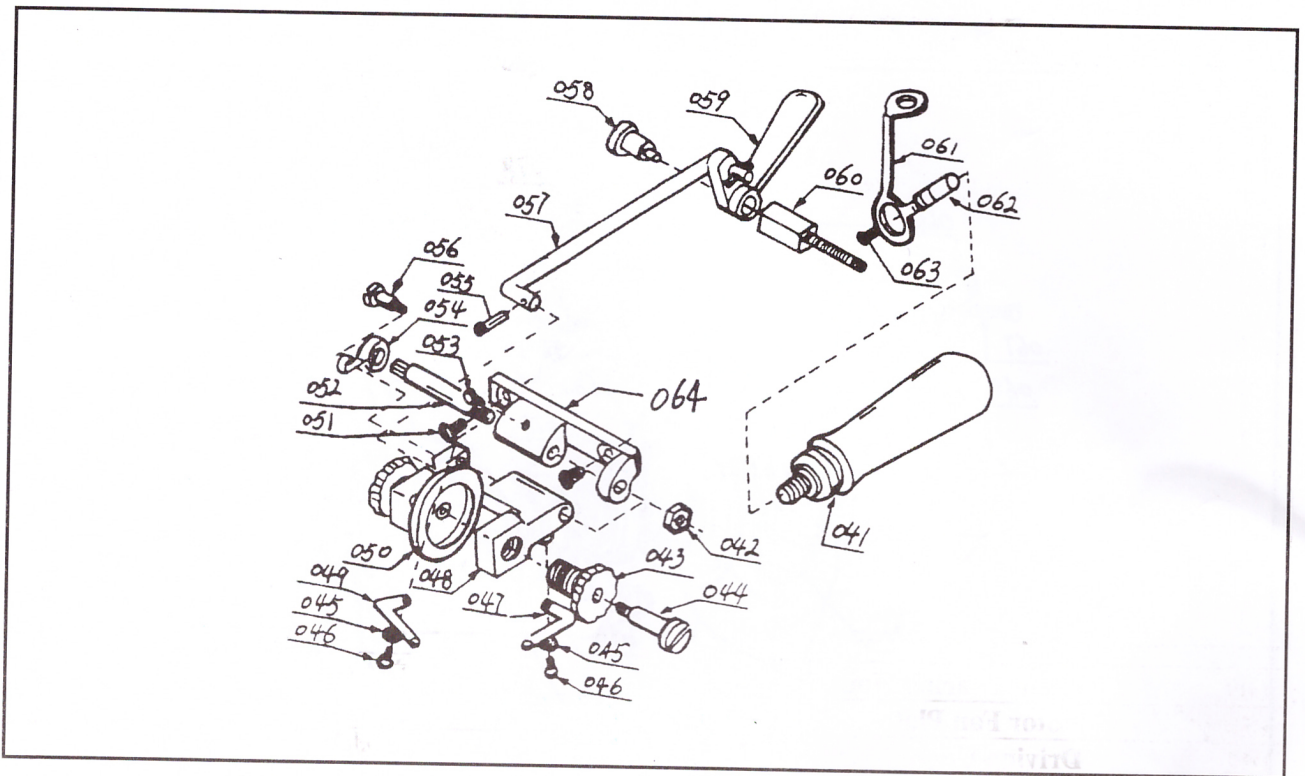
001	Rear Bearing Housing	后轴承盖
002	Rear Bearing Housing Screw	后轴承盖螺钉
003	Cut - Out Switch	断路器
004	Automatic Cut - Out	自动断路器
005	Cut - Out Set Screw	断路器螺钉
006	Automatic Cut - Out Fix Nut	自动断路器固定螺钉
007	Dust Cap	防尘盖
008	Dust Cap Screw	防尘盖螺钉

# MOTOR & GUARD ASSEMBLY



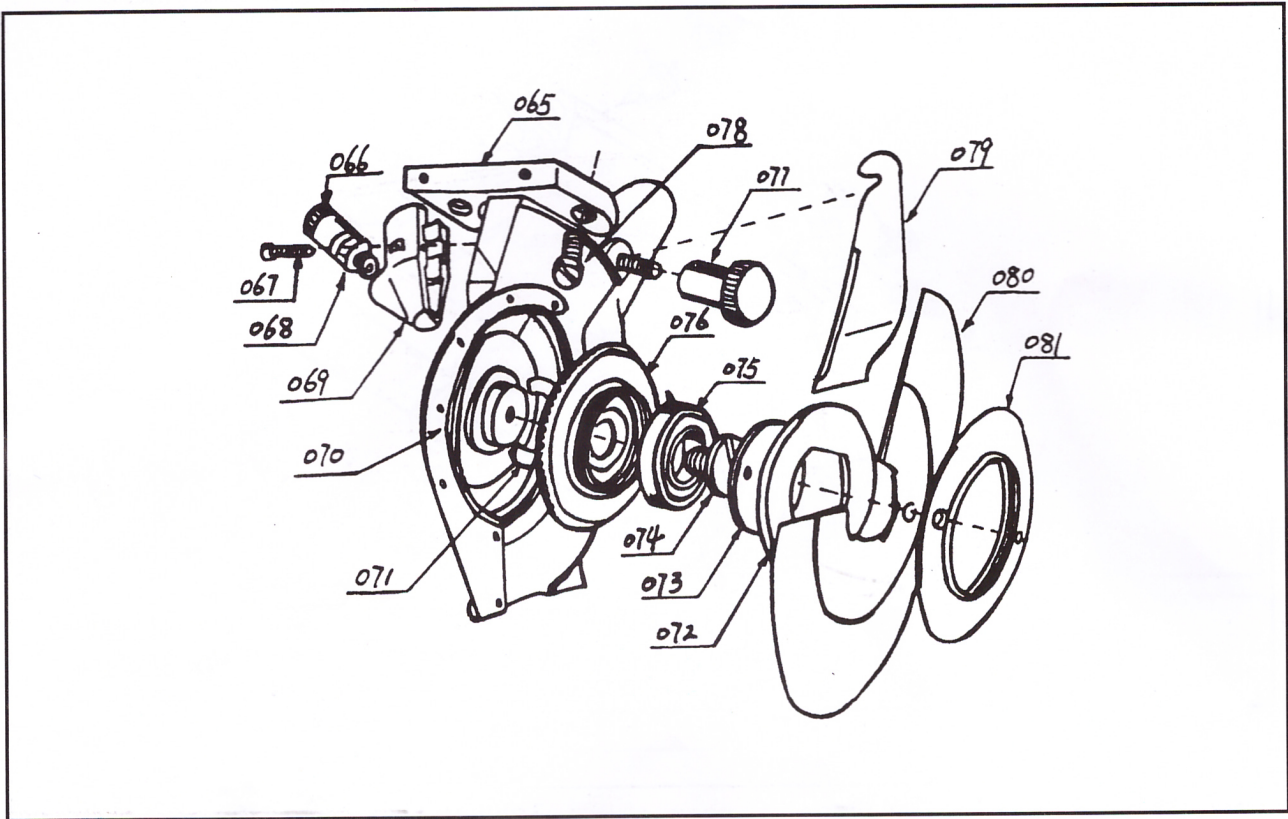
009	Front Bearing Housing Screw	前轴承盖螺钉
010	Rotor Fan Plate	风叶盖板
011	Driving Gear	主动齿板
012	Driving Gear Washer	主动齿轮调整垫片
013	Driving Gear Collar	主动齿轮轴套
014	Front Ball Bearing Retainer	前轴承挡圈
015	Front Ball Bearing	前轴承
016	Switch Box Screw	开关罩壳螺钉
017	Switch Box	开关罩壳
018	Switch	开关
019	Rear Ball Bearing Spring Washer	后轴承波形垫圈
020	Rear Ball Bearing	后轴承
021	Rotor with Shaft	转子总成
022	Rotor Fan	风叶
023	Front Bearing Housing	前轴承盖
024	Guard Plate	保护架座
025	Guard Holder Nut	保护架螺母
026	Guard Plate Screw	保护架座螺钉
027	Guard Shaft Adjusting Screw	保护杆调整螺钉
028	Guard Holder	保护架
029	Guard Holder Screw	保护架螺钉
030	Guard Shaft	保护杆
031	Capacitor- Stator	定子总成
032	Lift Handle	拎攀
033	Lift Handle Screw	拎攀螺钉
034	Terminal Sleeve	插头芯
035	Attachment Plug(Complete)	插头
036	Ground Clip	接地线夹
037	Ground Clip Screw	接地线夹螺钉
038	Terminal Block Screw	插座螺钉
039	Terminal Contact with Screw	插脚
040	Terminal Block (Complete)	插座

# SHARPENING ASSEMBLY



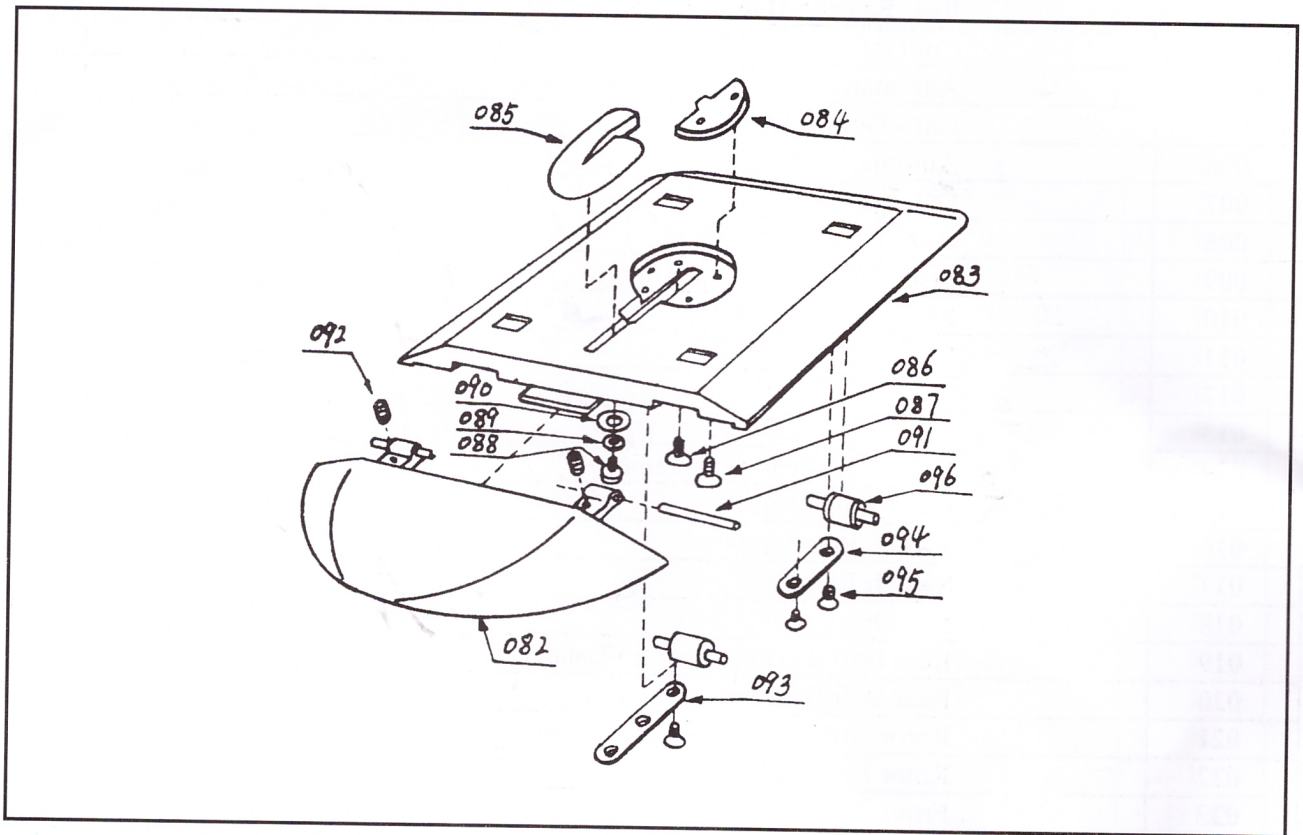
041	Operating Handle	操作手柄
042	Grinder Shaft Lock Nut	砂轮架轴固定螺母
043	Grinder Adjusting Screw	砂轮调整螺栓
044	Grinder Set Screw	砂轮轴位螺钉
045	Grinder Adj.Set Washer	砂轮调整装置垫圈
046	Grinder Adj.Set Screw	砂轮调整装置螺钉
047	Grinder Adjusting Spring(R)	砂轮调整右弹簧
048	Grinder Frame	砂轮架
049	Grinder Adjusting Spring(L)	砂轮调整左弹簧
050	Emery Wheel	砂轮
051	Grinder Arm Screw	砂轮架支座螺钉
052	Grinder Shaft	砂轮架轴
053	Grinder Frame Stopper Screw	砂轮架限位螺钉
054	Grinder Spring	砂轮架弹簧
055	Set Pin	开口销
056	Grinder Spring Set Screw	砂轮架弹簧螺钉
057	Sharpening Link	磨刀连杆
058	Sharpening Lever Set Screw	磨刀曲柄支架螺钉
059	Sharpening Leve	磨刀曲柄
060	Sharpening Lever Frame	磨刀曲柄支架
061	Switch Link	开关连杆
062	Switch Knob	开关捏手
063	Switch Knob Set Screw	开关捏手螺钉
064	Grinder Arm	砂轮架支架

# STANDARD ASSEMBLY



065	Standard	刀架
066	Grease Rup Nut	油杯盖
067	Gear Cover Screw	齿轮罩螺钉
068	Grease Rup	油杯
069	Gear Cover	齿轮罩
070	Standard Cover	刀架保护板
071	Knife Gear Adjusting Washer	刀片齿轮调整垫片
072	Grease Cover	防油罩
073	Knife Gear Bearing Seal	刀片齿轮轴承盖
074	Knife Gear Bearing Screw	刀片齿轮轴承螺钉
075	Knife Gear Bearing	刀片齿轮轴承
076	Knife Gear	刀片齿轮
077	Knife Cover Set Nut	护刀板螺母
078	Standard Set Screw	刀架螺钉
079	Knife Cove	护刀板
080	Round Knife	圆刀片
081	Knife Set Nut	刀片拼紧螺母

# BASE PLATE ASSEMBLY



082	Plate Wing	底板舌
083	Base Plate	底板
084	Knife Cover Plate	护刀板座
085	Throat Plate	刀板
086	Standard Set Screw	刀架螺钉
087	Knife Cover Plate Screw	护刀板座螺钉
088	Throat Plate Set Screw	刀板螺钉
089	Throat Plate Spring Washer	刀板弹簧垫圈
090	Throat Plate Washer	刀板垫圈
091	Hinge Pin Short	连接销轴
092	Plate Wing Tension Spring	底板舌弹簧
093	Clip(L)	长压板
094	Clip(S)	短压板
095	Clip Set Screw	压板螺钉
096	Roller	滚轮

Fig No.	Name of Part	Qt.req
001	Rear Bearing Housing	1
002	Rear Bearing Housing Screw	4
003	Cut Out Switch	1
004	Automatic Cut - Out	1
005	Cut - Out Set Screw	2
006	Automatic Cut - Out Fix Nut	1
007	Dust Cap	1
008	Dust Cap Screw	3
009	Front Bearing Housing Screw	4
010	Rotor Fan Plate	1
011	Driving Gear	1
012	Driving Gear Washer	按需
013	Driving Gear Collar	1
014	Front Ball Bearing Retainer	1
015	Front Ball Bearing	1
016	Switch Box Screw	2
017	Switch Box	1
018	Switch	1
019	Rear Ball Bearing Spring Washer	1
020	Rear Ball Bearing	1
021	Rotor with Shaft	1
022	Rotor Fan	1
023	Front Bearing Housing	1
024	Guard Plate	1
025	Guard Holder Nut	1
026	Guard Plate Screw	2
027	Guard Shaft Adjusting Screw	1
028	Guard Holder	1
029	Guard Holder Screw	1
030	Guard Shaft	1
031	Capacitor - Stator	1
032	Lift Handle	1
033	Lift Handle Screw	1
034	Terminal Sleeve	2
035	Attachment Plug(Complete)	1
036	Ground Clip	1
037	Ground Clip Screw	1
038	Terminal Block Screw	1
039	Terminal Contact with Screw	2
040	Terminal Block(Complete)	1
041	Operating Handle	1
042	Grinder Shaft Lock Nut	1
043	Grinder Adjusting Screw	2
044	Grinder Set Washer	1
045	Grinder Adj. Set Screw	2
046	Grinder Adj. Set Screw	2
047	Grinder Adjusting Spring(R)	1
048	Grinder Frame	1

Fig No.	Name of Part	Qt.req
049	Grinder Adjusting Spring(L)	1
050	Emery Wheel	2
051	Grinder Arm Screw	2
052	Grinder Shaft	1
053	Grinder Frame Stopper Screw	1
054	Grinder Spring	1
055	Set Pin	2
056	Grinder Spring Set Screw	1
057	Sharpening Link	1
058	Sharpening Lever Set Screw	1
059	Sharpening Lever	1
060	Sharpening Lever Frame	1
061	Switch Link	1
062	Switch Knob	1
063	Switch Knob Set Screw	1
064	Grinder Arm	1
065	Standard	1
066	Grease Rup Nut	1
067	Gear Cover Screw	2
068	Grease Rup	1
069	Gear Cover	1
070	Standard Cover	1
071	Knife Gear Adjusting Washer	按需
072	Grease Cover	1
073	Knife Gear Bearing Seal	1
074	Knife Gear Bearing Screw	1
075	Knift Gear Bearing	1
076	Knife Gear	1
077	Knife Cover Set Nut	1
078	Standard Set Screw	3
079	Knife Cover	1
080	Round Knife	1
081	Knife Set Nut	1
082	Plate Wing	1
083	Base Plate	1
084	Knife Cover Plate	1
085	Throat Plate	1
086	Standard Set Screw	3
087	Knife Cover Plate Screw	2
088	Throat Plate Set Screw	1
089	Throat Plate Spring Washer	1
090	Throat Plate Washer	1
091	Hinge Pin Short	2
092	Plate Wing Tension Spring	2
093	Clip(L)	2
094	Clip(S)	2
095	Clip Set Screw	10
096	Poller	4