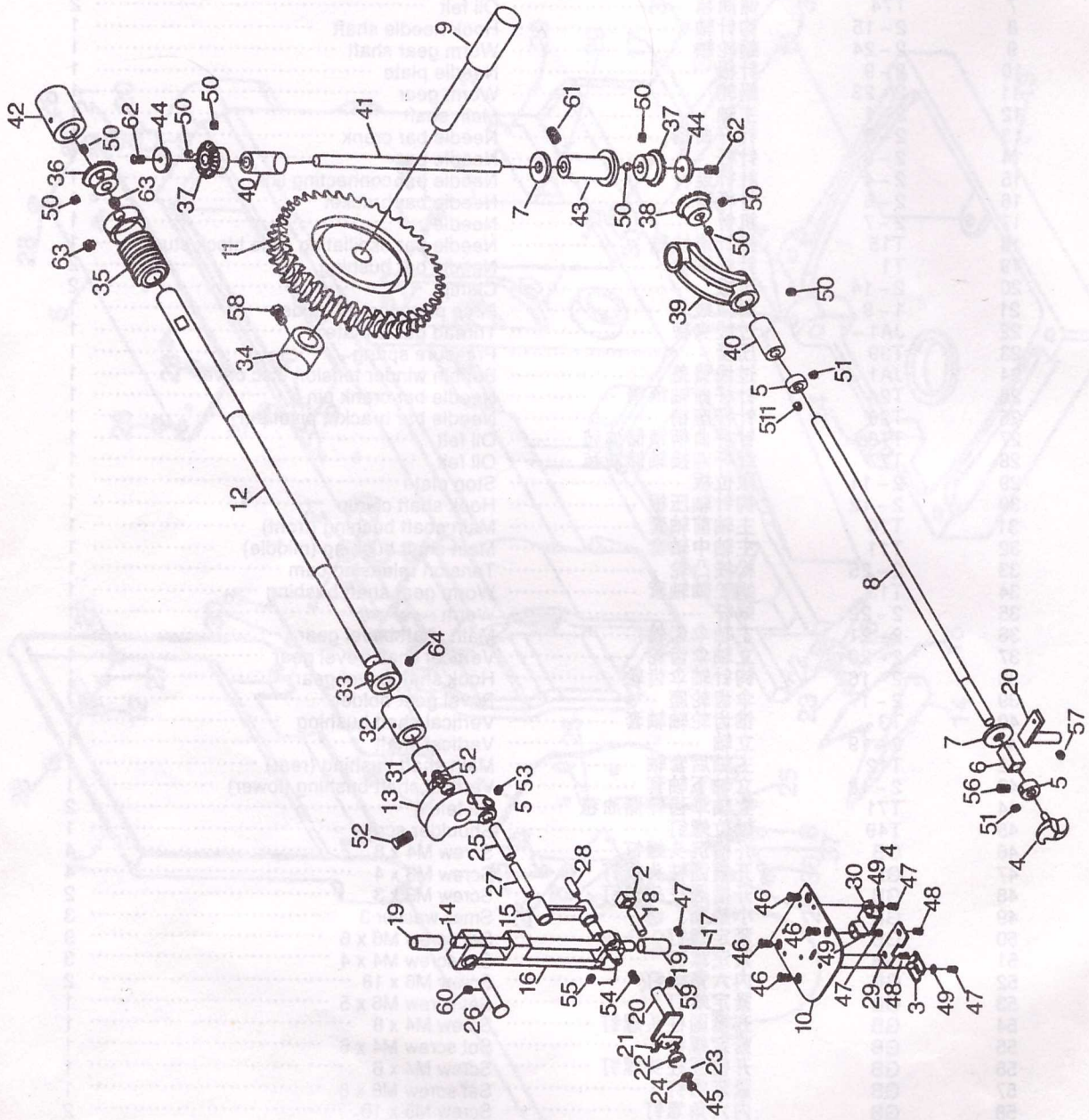


## 1. 1-0 机壳部件

## 1-0 Arm bed components

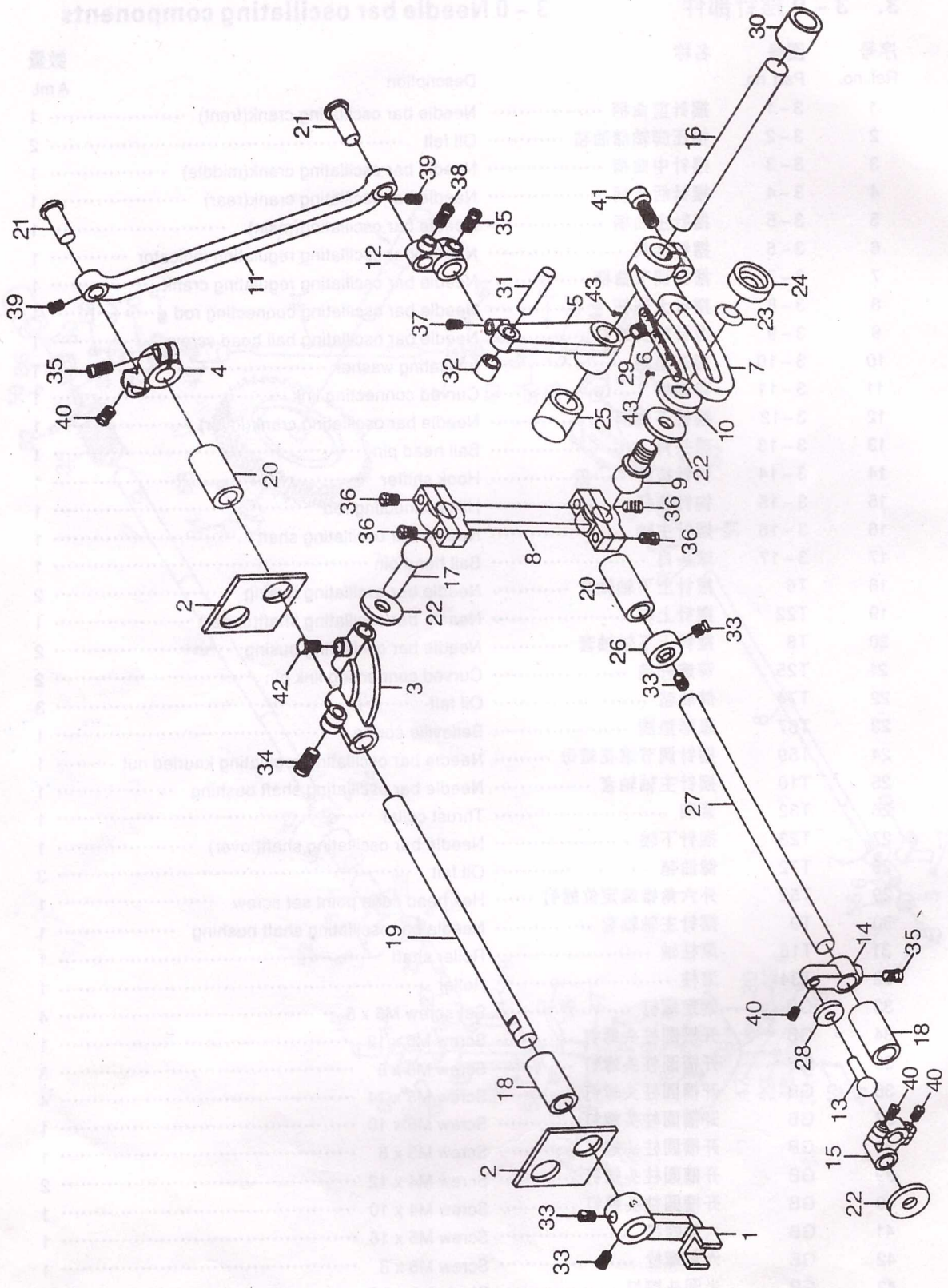
序号 Ref. no.	图号 Part no.	名称 Description	数量 Amt.
1	1-1	机壳 ..... Machine frame .....	1
2	1-2	型号牌 ..... Model brand .....	1
3	1-3	横盖板 ..... Left side cover .....	1
4	1-4	直盖板 ..... Right side cover .....	1
5	1-5	顶盖 ..... Top cover .....	1
6	1-6	穿线板 ..... Thread guide plate .....	1
7	1-7	面板 ..... Face plate .....	1
8	1-8	面板穿线 ..... Face plate thread guide plate .....	1
9	1-10	玻璃托板 ..... Glass plate bracket .....	1
10	1-11	护目玻璃 ..... Safety glass plate .....	1
11	1-12	大罩壳 ..... hinged cover .....	1
12	1-13	大罩壳簧 ..... Hinged cover spring .....	1
13	1-14	油盘 ..... Oil tray .....	1
14	1-15	钩针罩壳 ..... Hook needle cover .....	1
15	1-16	钩针罩壳栓 ..... Rotating hook cover latch .....	1
16	1-17	钩针罩壳簧 ..... Rotating hook cover spring .....	2
17	1-19	机号牌 ..... Machine cards .....	1
18	JA1-1	过线簧盖 ..... Bobbin winder tension disc cover .....	2
19	T19	大罩壳销 ..... Hinged cover pin .....	1
20	T80	主轴储油毡 ..... Oil felt .....	3
21	T69	油孔罩子 ..... Oil hole cover .....	3
22		纸柏垫圈4 ..... Washer 4 .....	2
23	GB	开槽圆柱头螺钉 ..... Screw M4 x 6 .....	2
24	GB	紧定螺钉 ..... Set screw M6 x 6 .....	2
25	GB	球面圆柱头螺钉 ..... Screw M4 x 10 .....	4
26	GB	六角螺母 ..... Hex nut M4 .....	2
27	GB	垫圈 ..... Washer 4 .....	1
28	GB	开槽沉头螺钉 ..... Screw M4 x 8 .....	5
29	GB	铆钉 ..... Rivet $\varnothing 2 \times 8$ .....	2
30	GB	球面圆柱头螺钉 ..... Screw M4 x 8 .....	4
31	GB	六角螺母 ..... Hex nut M6 .....	1
32	T66	碟形垫圈 ..... Small washer 6 .....	1
33	T48	滚花长杆螺钉 ..... Knurled thumb screw .....	1
34	GB	球面圆柱头螺钉 ..... Screw M5 x 8 .....	1
35	GB	开槽沉头螺钉 ..... Screw M4 x 10 .....	1
36	GB	开槽圆柱头螺钉 ..... Screw M3 x 5 .....	1
37	GB	垫圈 ..... Washer 3 .....	1
38	GB	铆钉 ..... Rivet $\varnothing 2 \times 8$ .....	2



2. -0 针杆机构部件

2 - 0 Needle bar mechanism components

序号 Ref. no.	图号 Part no.	名称	Description	数量 Amt.
1	2-5	针杆连接轴	Needle bar connecting stud	1
2	JA1-1	摆轴滑块	Oscillating rock shaft slide block	1
3	2-10	机针挡块	Needle guard	1
4	2-8	钩针	Hook needle	1
5	T31	紧圈	Thrust collar	2
6	2-13	钩针前轴套	Rotating hook shaft bushing, front	1
7	T74	储油毡	Oil felt	2
8	2-15	钩针轴	Hook needle shaft	1
9	2-24	蜗轮轴	Worm gear shaft	1
10	2-9	针板	Needle plate	1
11	2-23	蜗轮	Worm gear	1
12	2-1	主轴	Main shaft	1
13	2-2	针杆曲柄	Needle bar crank	1
14	2-3	针杆	Needle bar	1
15	2-4	针杆连杆	Needle bar connecting link	1
16	2-6	针杆座	Needle bar bracket	1
17	2-7	机针	Needle	1
18	T15	摆针滑块轴	Needle bar oscillating slide block stud	2
19	T1	针杆轴套	Needle bar bushing	2
20	2-14	压板	Clamp	1
21	1-9	面板线勾	Face plate thread guide	1
22	JA1-1	过线夹板	Thread guide plate	1
23	T39	压簧	Pressure spring	1
24	JA1-1	过线簧盖	Bobbin winder tension disc cover	1
25	T24	针杆曲柄销	Needle bar crank pin	1
26	T26	针杆座销	Needle bar bracket pivot pin	1
27	T78	针杆曲柄销储油毡	Oil felt	1
28	T77	针杆连接轴储油毡	Oil felt	1
29	2-11	限位板	Stop plate	1
30	2-12	钩针轴压板	Hook shaft clamp	1
31	T10	主轴前轴套	Main shaft bushing (front)	1
32	T11	主轴中轴套	Main shaft bushing (middle)	1
33	2-25	松线凸轮	Tension releasing cam	1
34	T13	蜗轮轴轴套	Worm gear shaft bushing	1
35	2-22	蜗杆	Worm	1
36	2-21	主轴伞齿轮	Main shaft bevel gear	1
37	2-20	立轴伞齿轮	Vertical shaft bevel gear	1
38	2-16	钩针轴伞齿轮	Hook shaft bevel gear	1
39	2-17	伞齿轮座	Bevel gear holder	1
40	T3	锥齿轮轴套	Vertical shaft bushing	1
41	2-19	立轴	Vertical shaft	1
42	T12	主轴后套轴	Main shaft bushing (rear)	1
43	2-18	立轴下轴套	Vertical shaft bushing (lower)	1
44	T71	立轴伞齿轮储油毡	Oil felt	2
45	T49	轴位螺钉	Shoulder screw	1
46	GB	开槽沉头螺钉	Screw M4 x 8	4
47	GB	开槽圆柱头螺钉	Screw M3 x 4	4
48	GB	开槽圆柱头螺钉	Screw M3 x 3	2
49	GB	小垫圈	Small washer 3	3
50	GB	紧定螺钉	Set screw M6 x 6	9
51	GB	紧定螺钉	Set screw M4 x 4	3
52	GB	紧定六角螺钉	Screw M6 x 18	2
53	GB	紧定六角螺钉	Set screw M6 x 5	1
54	GB	开槽圆柱头螺钉	Screw M4 x 8	1
55	GB	开槽圆柱头螺钉	Set screw M4 x 6	1
56	GB	开槽圆柱头螺钉	Screw M4 x 6	1
57	GB	紧定螺钉	Set screw M6 x 8	1
58	GB	紧定六角螺钉	Screw M5 x 18	2
59	GB	紧定六角螺钉	Set screw M6 x 10	1
60	GB	紧定螺钉	Set screw M5 x 5	1
61	GB	紧定螺钉	Set screw M6 x 15	1
62	GB	开槽沉头螺钉	Screw M3 x 5	2
63	GB	开槽六角紧定螺钉	Screw M8 x 8	2
64	GB	紧定螺钉	Set screw M6 x 5	1



## 3. 3-0 摆针部件

## 3-0 Needle bar oscillating components

序号 Ref. no.	图号 Part no.	名称	Description	数量 Amt.
1	3-1	摆针前曲柄	Needle bar oscillating crank(front)	1
2	3-2	抬压脚轴储油毡	Oil felt	2
3	3-3	摆针中曲柄	Needle bar oscillating crank(middle)	1
4	3-4	摆针后曲柄	Needle bar oscillating crank(rear)	1
5	3-5	摆针主曲柄	Needle bar oscillating(main)	1
6	3-6	摆针标尺	Needle bar oscillating regulating indicator	1
7	3-7	摆针调节曲柄	Needle bar oscillating regulating crank	1
8	3-8	摆针大连杆	Needle bar oscillating connecting rod	1
9	3-9	摆针球头螺钉	Needle bar oscillating ball head screw	1
10	3-10	指未垫圈	Indicating washer	1
11	3-11	弯连杆	Curved connecting link	1
12	3-12	摆针下曲柄	Needle bar oscillating crank(lover)	1
13	3-13	球头肖	Ball head pin	1
14	3-14	钩针拨杆	Hook shifter	1
15	3-15	钩针连杆	Hiik connecting rod	1
16	3-16	摆针主轴	Needle bar oscillating shaft	1
17	3-17	球头肖	Ball head pin	1
18	T6	摆针上下轴轴套	Needle bar oscillating busing	2
19	T22	摆针上轴	Needle bar oscillating shaft(upper)	1
20	T8	摆针上下轴轴套	Needle bar oscillating busing	2
21	T25	弯连杆销	Curved connecting link pin	2
22	T74	储油毡	Oil falt	3
23	T67	碟形垫圈	Belleville spring	1
24	T59	摆针调节滚花螺母	Needle bar oscillating regulating knurled nut	1
25	T10	摆针主轴轴套	Needle bar oscillating shaft bushing	1
26	T32	紧圈	Thrust collar	1
27	T23	摆针下轴	Needle bar oscillating shaft(lover)	1
28	T72	储油毡	Oil falt	3
29	T52	外六角锥端定位螺钉	Hex head cone point set screw	1
30	T9	摆针主轴轴套	Needle bar oscillating shaft bushing	1
31	T16	滚柱轴	Roller shaft	1
32	T34	滚柱	Roller	1
33	GB	紧定螺钉	Set screw M6 x 5	4
34	GB	开槽圆柱头螺钉	Screw M6 x 12	1
35	GB	开槽圆柱头螺钉	Screw M6 x 8	3
36	GB	开槽圆柱头螺钉	Screw M5 x 14	4
37	GB	开槽圆柱头螺钉	Screw M5 x 10	1
38	GB	开槽圆柱头螺钉	Screw M5 x 8	1
39	GB	开槽圆柱头螺钉	Screw M4 x 12	2
40	GB	开槽圆柱头螺钉	Screw M4 x 10	1
41	GB	六角螺栓	Screw M5 x 16	1
42	GB	六角螺栓	Screw M6 x 8	1
43	GB	半圆头铆钉	Rivet 1.4 x 3.5	2

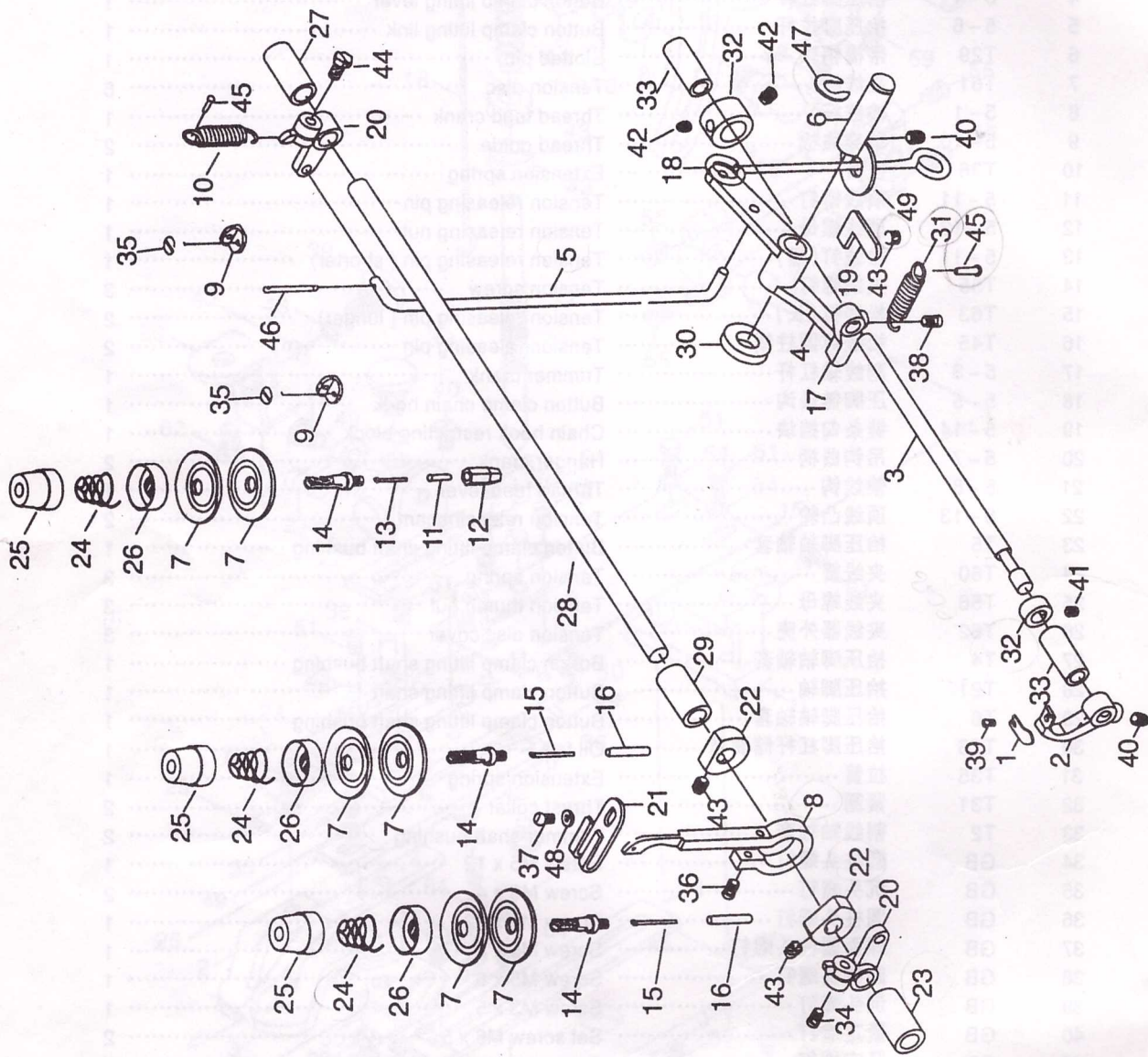


#### 4. 4-0 钮夹部件

#### 4-0 Button clamp components

序号 Ref. no.	图号 Part no.	名称	Description	数量 Amt.
1	4-12	小方孔板	Small square hole plate	1
2	4-24	钮夹左脚	Button Clamp jaw (left)	1
3	4-25	钮夹右脚	Button Clamp jaw (right)	1
4	4-26	钮夹中夹脚	Button Clamp side guide	1
5	3-13	球头销	Ball head pin	1
6	4-12	跨针曲柄	Button clamp feeding crank	1
7	4-22	跨针调节曲柄	Button clamp feeding regulating crank	1
8	4-42	跨针指针	Button clamp feeding arrow	1
9	4-52	球头方块螺钉	Ball heat square neck screw	1
10	4-62	钮夹连杆	Button clamp connecting link	1
11	4-72	钮夹座	Button clamp holder	1
12	4-82	钮夹底板	Button clamp base plate	1
13	4-92	钮夹座夹板	Button clamp guide plate	2
14	4-10	挡衣板	Dressguard plate	1
15	4-13	钮夹体板簧	Button clamp leaf spring	1
16	4-14	钮夹吊板	Button clamp lifting plate	1
17	4-15	压紧杆	Pressure adjusting bar	1
18	4-16	钮夹吊钩	Button clamp lifting hook	1
19	4-17	钮夹碰块	Button clamp stop block	1
20	4-18	钮夹碰块座	Button clamp stop block holder	1
21	4-19	钮夹开启板手	Button clamp jaw opening handle	1
22	4-20	钮夹调节座	Button clamp jaw opening holder	1
23	4-22	中夹脚滑块	Side guider slide block	1
24	4-23	钮夹体	Button clamp jaw holder	1
25	4-27	钮夹左脚联接板	Button clamp jaw connecting link (left)	1
26	4-28	钮夹右脚联接板	Button clamp jaw connecting link (right)	1
27	4-29	钮夹导轨片	Button clamp guide plate	1
28	4-30	导轨片螺钉	Guide plate screw	2
29	4-31	钮夹簧	Button clamp jaw spring	1
30	T7	跨针曲柄轴套	Button clamp feeding crank shaft bushing	1
31	T16	滚柱轴	Roller shaft	1
32	T27	跨针曲柄销	Needle bar crank pin	1
33	T34	滚柱	Roller	1
34	T41	压簧	Pressure spring	1
35	T42	钮夹导轨片圆柱销	Button clamp guide plate pin	2
36	T43	钮夹簧圆柱销	Button clamp jaw spring pin	1
37	T44	跨针曲柄圆柱销	Button clamp feeding crank pin	2
38	T46	螺纹圆柱销	Stud	1
39	T47	滚花高头螺钉	Knurled thumb screw	2
40	T50	轴位螺钉	Shoulder screw	1
41	T51	轴位螺钉	Shoulder screw	1
42	T51a	轴位螺钉	Shoulder screw	2
43	T57	球面滚花螺母	Spherical end and knurled nut	2
44	T58	跨针调节滚花螺母	Button clamp feed regulating knurled nut	1
45	T65	碟形垫圈	Belleville spring	2
46	T66	碟形垫圈	Belleville spring	1
47	T72	储油毡	Oil felt	1
48	T75	储油毡	Oil felt	1
49		纸柏垫圈4	Washer 4	6
50	GB	开槽圆柱头螺钉	Screw M3 x 3	1
51	GB	开槽圆柱头螺钉	Screw M3 x 5	2
52	GB	开槽圆柱头螺钉	Screw M4 x 5	2
53	GB	开槽圆柱头螺钉	Screw M4 x 6	2
54	GB	开槽圆柱头螺钉	Screw M4 x 8	4
55	GB	开槽圆柱头螺钉	Screw M4 x 10	6
56	GB	开槽圆柱头螺钉	Screw M6 x 8	1
57	GB	开槽圆柱头螺钉	Screw M4 x 10	2
58	GB	内衣角圆柱头螺钉	Screw M6 x 12	1
59	GB	开柄平端紧定螺钉	Screw M6 x 6	1
60	GB	六角头螺栓	Hex cap bolt M4 x 6	4
61	GB	六角头螺栓	Hex cap bolt M4 x 8	3
62	GB	六角头螺栓	Hex cap bolt M6 x 6	1
63	GB	六角薄螺母	Hex nut M4	2
64	GB	小垫圈	Small washer 4-140HV	11

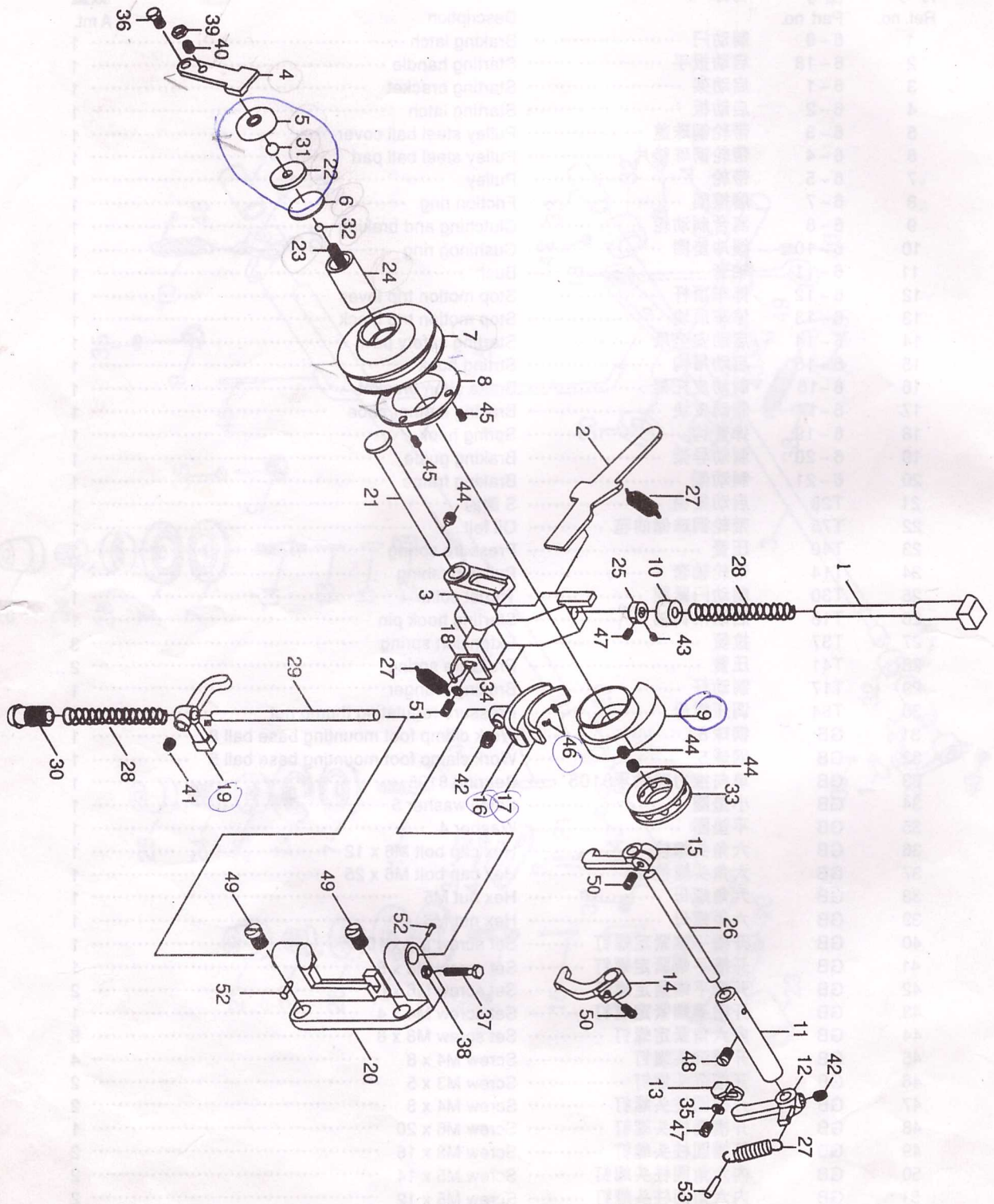




## 5. 5-0 线路割线部件

## 5-0 Trimming mechanism components

序号 Ref. no.	图号 Part no.	名称	Description	数量 Amt.
1	5-1	割线刀	Trimmer	1
2	5-2	割线刀架	Trimmer arm	1
3	T20	割线轴	Trimmer shaft	1
4	5-4	抬压脚杠杆	Button clamp lifting lever	1
5	5-6	抬压脚拉杆	Button clamp lifting link	1
6	T29	带槽销轴	Slotted pin	1
7	T61	夹线板	Tension disc	6
8	5-1	输线杆	Thread feed crank	1
9	5-10	单穿线板	Thread guide	2
10	T36	拉簧	Extension spring	1
11	5-11	顶线铆钉	Tension releasing pin	1
12	5-12	顶线螺母	Tension releasing nut	1
13	5-11	松线钉(短)	Tension releasing pin (shorter)	1
14	T55	夹线螺钉	Tension screw	3
15	T63	松线钉(长)	Tension releasing pin (longer)	2
16	T45	松线钉圆柱销	Tension releasing pin	2
17	5-3	割线轴杠杆	Trimmer crank	1
18	5-5	压脚链条沟	Button clamp chain hook	1
19	5-14	链条勾挡块	Chain hook restricting block	1
20	5-7	吊钩曲柄	Hanger crank	2
21	5-8	输线钩	Thread feed lever	1
22	5-13	顶线凸轮	Tension releasing cam	2
23	T5	抬压脚轴轴套	Button clamp lifting shaft bushing	1
24	T60	夹线簧	Tension spring	3
25	T56	夹线螺母	Tension thumb nut	3
26	T62	夹线器外壳	Tension disc cover	3
27	T4	抬压脚轴轴套	Button clamp lifting shaft bushing	1
28	T21	抬压脚轴	Button clamp lifting shaft	1
29	T6	抬压脚轴轴套	Button clamp lifting shaft bushing	1
30	T76	抬压脚杠杆储油毡	Oil felt	1
31	T35	拉簧	Extension spring	1
32	T31	紧圈	Thrust collar	2
33	T2	割线轴轴套	Trimmer shaft bushing	2
34	GB	圆柱头螺钉	Screw M5 x 12	1
35	GB	沉头螺钉	Screw M3 x 4	2
36	GB	圆柱头螺钉	Screw M4 x 12	1
37	GB	球面圆柱头螺钉	Screw M5 x 8	1
38	GB	圆柱头螺钉	Screw M5 x 8	1
39	GB	沉头螺钉	Screw M3 x 5	1
40	GB	紧定螺钉	Set screw M6 x 5	2
41	GB	紧定螺钉	Set screw M4 x 4	1
42	GB	紧定螺钉	Set screw M4 x 5	2
43	GB	紧定螺钉	Set screw M6 x 8	3
44	GB	六角头螺栓	Bolt M5 x 12	1
45	GB	铆钉	Rivet 3 x 12	2
46	GB	开口销	Cotter pin 2.5 x 12	1
47	GB	开口挡圈	Retaining ring 18	1
48	GB	平垫圈	Washer 5	1
49	T83	橡胶垫圈	Rubber washer	1



## 6. 6-0 机壳部件

## 6-0 Stop-motion mechanism components

序号 Ref. no.	图号 Part no.	名称	Description	数量 Amt.
1	6-9	制动门	Braking latch	1
2	6-18	启动扳手	Starting handle	1
3	6-1	启动架	Starting bracket	1
4	6-2	启动板	Starting latch	1
5	6-3	带轮钢珠盖	Pulley steel ball cover	1
6	6-4	带轮钢珠垫片	Pulley steel ball pad	1
7	6-5	带轮	Pulley	1
8	6-7	磨擦圈	Friction ring	1
9	6-8	离合制动轮	Clutching and braking	1
10	6-10	缓冲垫圈	Cushinog ring	1
11	6-11	轴套	Bush	1
12	6-12	停车顶杆	Stop motion trip lever	1
13	6-13	停车顶块	Stop motion trip block	1
14	6-14	启动安全爪	Starting safety pawl	1
15	6-15	启动吊钩	Strting hook	1
16	6-16	制动皮托架	Brake shon bracket	1
17	6-17	制动皮块	Braking leather shoe	1
18	6-19	弹簧钩	Spring hook	1
19	6-20	制动导架	Braking guide	1
20	6-21	制动架	Braking frame	1
21	T28	启动架销	S 渥的	1
22	T75	带轮钢珠储油毡	Oil felt	1
23	T40	压簧	Pressure spring	1
24	T14	带轮轴套	Pulley bushing	1
25	T30	制动门紧圈	Thrust collar	1
26	T18	启动吊钩轴	Starting hook pin	1
27	T37	拉簧	Extension spring	3
28	T41	压簧	Pressure spring	2
29	T17	制动杆	Braking plunger	1
30	T54	调压螺母	Pressure regulating thumb nut	1
31	GB	钢球 8	Work clamp foot mounting base ball 8	1
32	GB	钢球 5	Work clamp foot mounting base ball 5	1
33	GB	单向推力球轴承 8105	Bearing 8105	1
34	GB	小垫圈	Small washer 5	1
35	GB	平垫圈	Washer 4	1
36	GB	六角头螺栓	Hex cap bolt M6 x 12	1
37	GB	六角头螺栓	Hex cap bolt M6 x 25	1
38	GB	六角螺母	Hex nut M5	1
39	GB	六角螺母	Hex nut M6	1
40	GB	开槽平端紧定螺钉	Set screw M6 x 10	1
41	GB	开槽平端紧定螺钉	Set screw M6 x 8	1
42	GB	开槽平端紧定螺钉	Set screw M6 x 6	2
43	GB	开槽平端紧定螺钉	Set screw M4 x 4	1
44	GB	内六角紧定螺钉	Set screw M8 x 8	5
45	GB	开槽沉头螺钉	Screw M4 x 8	4
46	GB	开槽沉头螺钉	Screw M3 x 5	2
47	GB	开槽圆柱头螺钉	Screw M4 x 8	2
48	GB	开槽圆柱头螺钉	Screw M6 x 20	1
49	GB	开槽圆柱头螺钉	Screw M8 x 16	2
50	GB	内六角圆柱头螺钉	Screw M5 x 14	2
51	GB	内六角圆柱头螺钉	Screw M5 x 12	2
52	GB	标牌用铆钉	Rivet M5 x 12	2
53		销	Pin	1