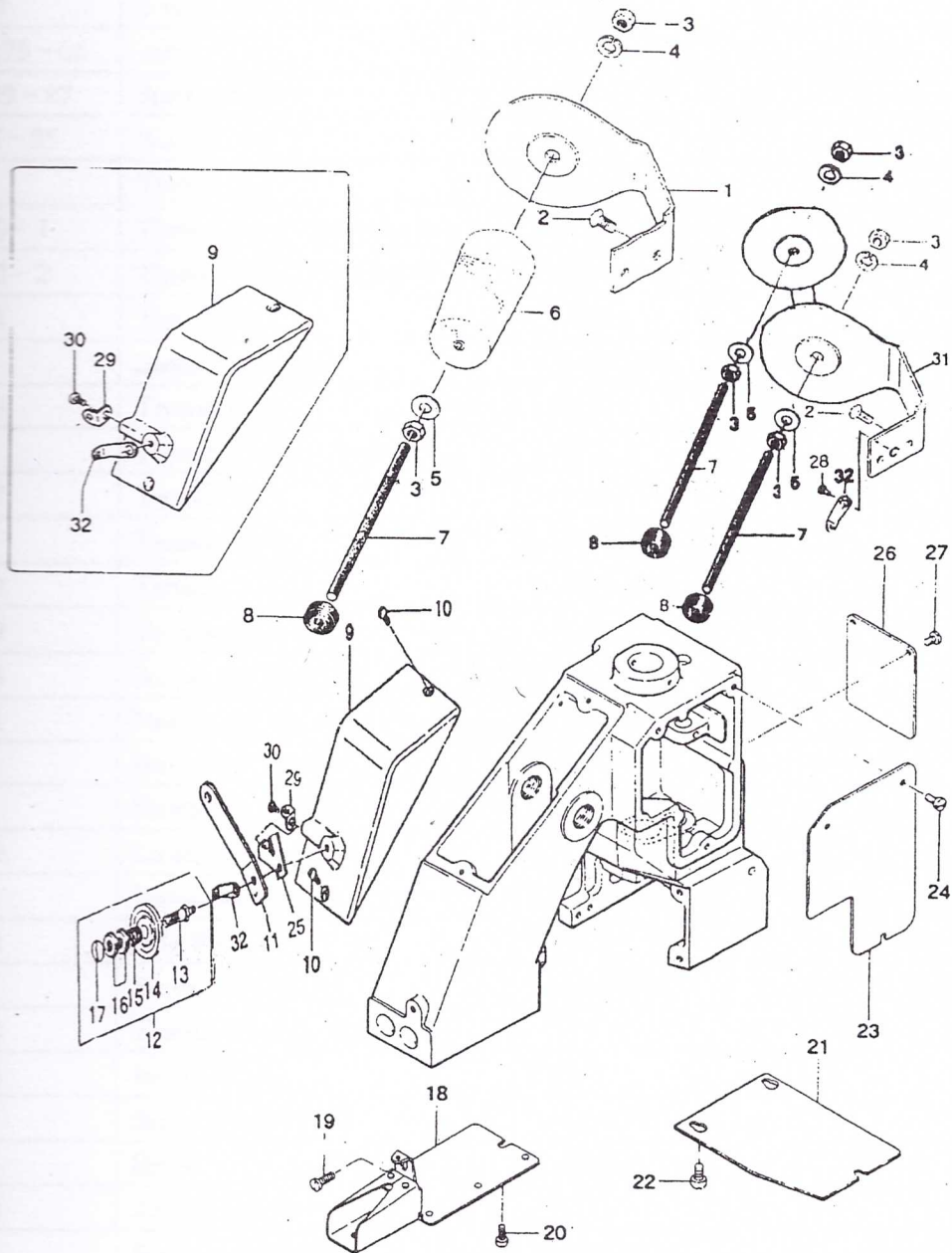


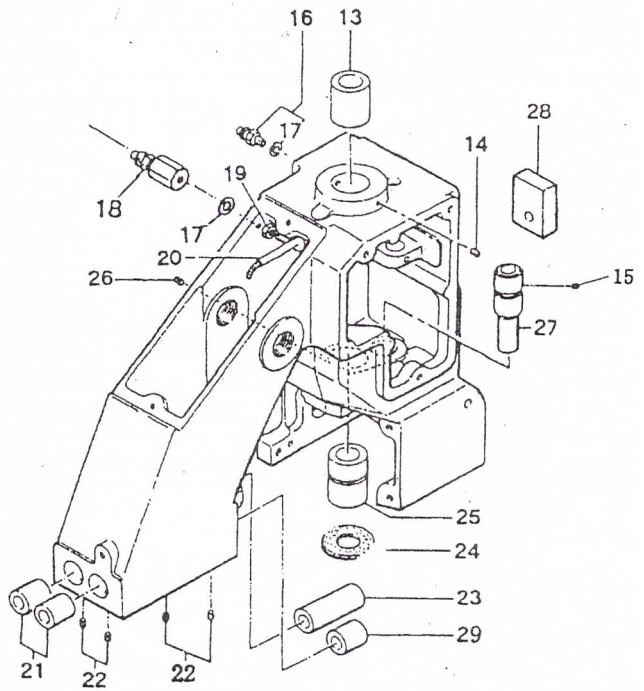
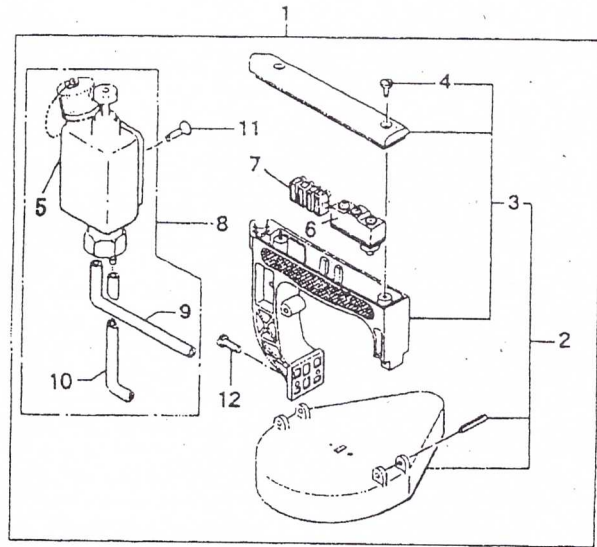
(1) THREAD TENSION AND COVER PARTS



(1) THREAD TENSION AND COVER PARTS

Ref No.	Part No.	Description	Part No. NP-7	Q'ty	Remarks
1	1-30-3	Thread Stand	245042	1	
2	1-37	Screw, for 245042	15/64S	2	
3	GB6175-86	Nut	1N6	2	GK26-2 4
4	GB859-87	Spring Washer	1W6	1	GK26-2 2
5	GB95-85	Washer	2W6	1	GK26-2 2
6		Thread	101001	1	GK26-2 2
7	1-30-1	Thread Cone Clamping Rod	245052	1	GK26-2 2
8	1-30-2	Thread Cone Clamping Nut	245201	1	GK26-2 2
9	1-21	Top Cover	245014	1	
10	S40	Screw for 245014	9/64S40005	2	
11	1-39	Thread Eyelet	145551	1	GK26-2
12		Thread Tension Assembly	245081A	1	(13-17)
13	1-17	Tension Post	245081	1	
14	R56	Tension Disc	065261	2	
15	1-20	Tension Spring	245101	1	
16	1-19	Tension Nut	245091	2	
17	1-18	Screw for 245081A	9/64S40011	1	
18	1-11	Needle Bar Guard	245033	1	
19	S40	Screw, for 245033	9/64S40065	1	
20	S40	Screw, for 245033	9/64S40065	2	
21	1-10	Looper Cover	245222	1	
22	S40	Screw, for 245222	9/64S40065	3	
23	1-12	Side Plate	245022	1	
24	S40	Screw for 245022	9/64S40005	3	
25	1-40	Thread Tension Eyelet		1	GK26-2
26	1-13	Inside Cover	245302	1	
27	S40	Screw, For 245302	9/64S40005	4	
28	GS55	Screw	11/64S40	1	GK26-2
29	1-35	Thread Eyelet	245261	1	
30	S40	Screw, for 245261	11/64S40006	1	
31	1-30-3A	Thread Stand		1	GK26-2
32	1-16	Thread Tension Eyelet	245071	1	GK26-2 2

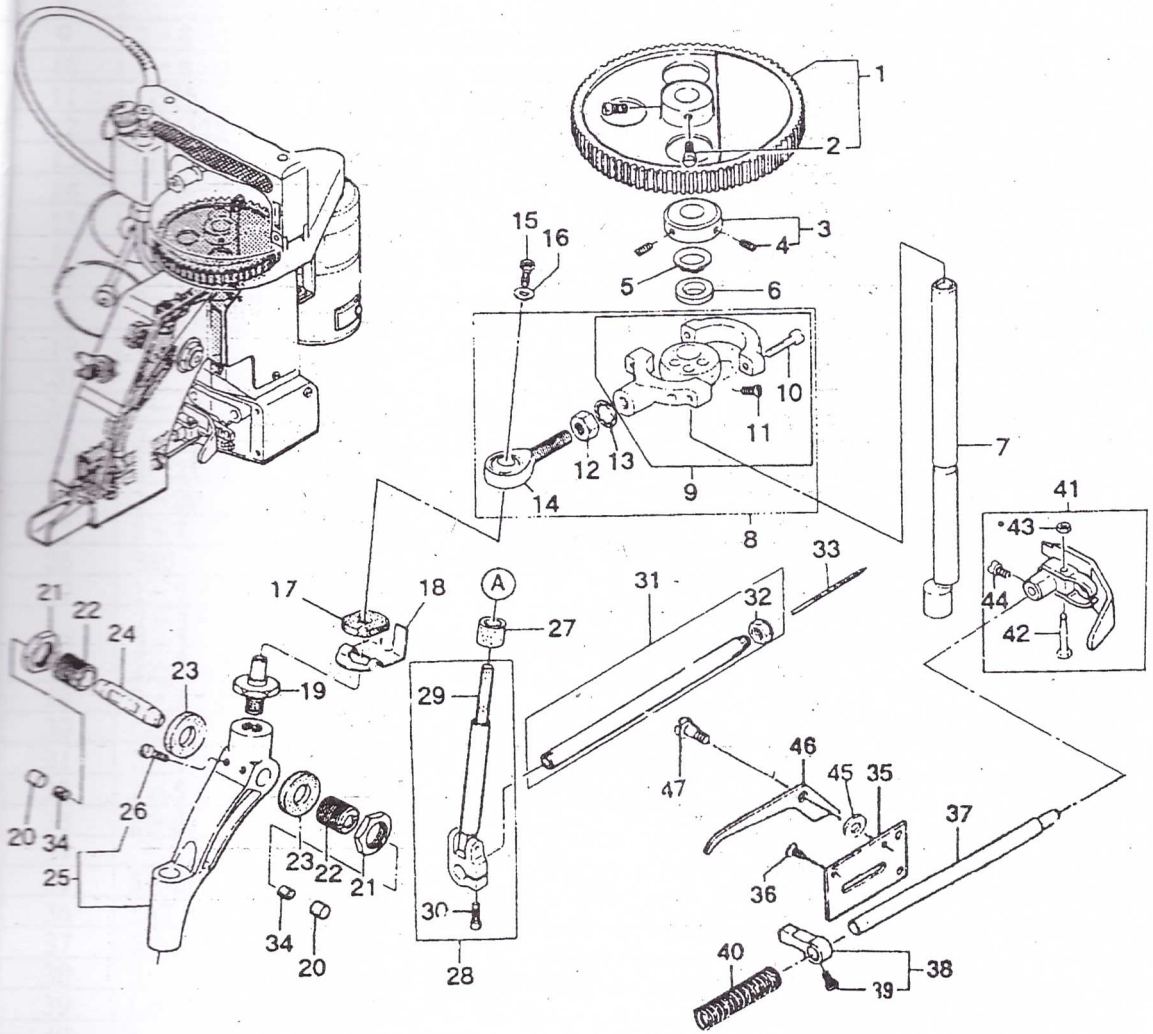
(2) BUSHINGS, OILINGS AND HANDLE PARTS



2) BUSHINGS, OILINGS AND HANDLE PARTS

Ref No.	Part No.	Description	Part No. NP-7	Q'ty	Remarks
1		Handle Assembly	241024AS	1	
2		Handle Assembly	241024A	1	(3-4)
3	1-2	Handle	241024	1	
4	1-18	Screw, for 241024A	9/64S40011	2	
5	6-0	Pump		1	
6	Lx5-11/D	Micro Switch(Z-15GK655-B)	C02001	1	
7	X ₅ C ₀ V ₁ °A	Flexible Terminal Block (ML-SK-1,4P)	C05008	1	
8		Oiler	D03003	1	
9		Oil Tube, with oil felt	8EU2-6×90F	1	
10		Oil Tube, with oil felt	8FU2-6×60F	1	
11	GB68-85	Screw, for D03003	6S5×15	1	
12	1-36	Screw, for 241024A	15/64S28021	2	
13	2-11	Main Shaft Bushing, rear	241122	1	
14	S38	Screw, for 241122	11/64S40	1	
15	S38		11/64S40	1	
16	6-14	Joint(BN-5-6)	D07021	1	
17	7-7	Washer	E03014	2	
18	6-15	Joint	245471	1	
19	GB6175-86	Nut	1N4	1	
20	6-17	Oil Pipe	245461	1	
21	2-2	Bushing for Presser Bar & Needle Bar, upper	242212	2	
22	S38	Screw, for 242212	11/64S40	4	
23	5-8	Presser Bar Bushing, lower	242222	1	
24	4-19	Oil Felt	245541	1	
25	2-22	Main Shaft Bushing, lower	241111	1	
26	S38	Screw, for 241111	11/64S40	1	
27	3-4	Looper Rocker Shaft Bushing	243021	1	
28	3-5	Oil Felt	245162	1	
29	2-4	Needle Bar	242212	1	

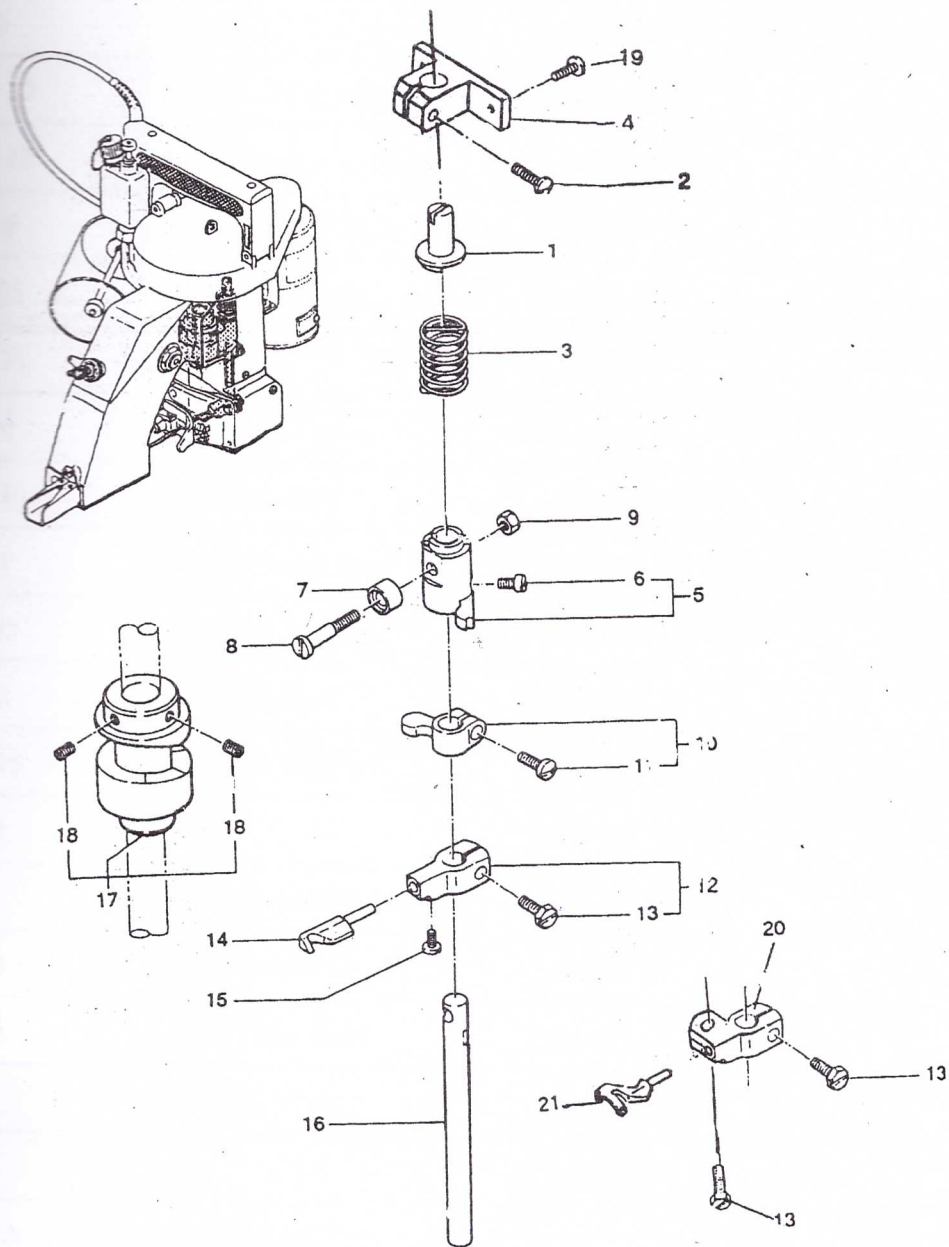
(3) NEEDLE BAR, PRESSER BAR AND DRIVING PARTS



3) NEEDLE BAR, PRESSER BAR AND DRIVING PARTS

Ref No.	Part No.	Description	Part No. NP-7	Q'ty	Remarks
1	1-23	Synchro Pulley	241092	1	
2	S30	Screw, for 241092	11/64S40	2	
3	2-13	Retaining Collar	241131	1	
4	GS55	Screw, for 241131	11/64S40502	2	
5	2-10	Spacer	241161	1	
6	2-9	Oil Felt	205131	1	
7	2-12	Main Shaft	241102	1	
8		Connecting Rod Assembly	242011A	1	
9	2-8-1	Connecting Rod Sub-Assembly	242011	1	
10	2-8-2	Screw, for connecting rod cap	3/16S28029	2	
11	GS55	Screw, for eccentric cam	11/64S40001	2	
12	GB6175-86	Nut, for 242011A	1N8	1	
13	GB861-2-87	Washer, for 242011A	5W8	1	
14	2-8-5	Rod End(POS-8)	6A04001	1	
15	4-11	Screw, for 242031	3/16S32	1	
16	GB95-85	Washer, for 242031	11/64W15103	1	
17	2-15	Oil Felt	245211	1	
18	2-14	Spring	242041	1	
19	2-16	Rod End Stud	242031	1	
20		Cap	245491	2	
21	2-19	Nut, for 242081	5/8N18101	2	
22	2-18	Adjusting Stud	242081	2	
23	2-21	Oil Felt	245231	2	
24	2-20	Needle Bar Lever Stud	242071	1	
25	2-7	Needle Bar Lever Assembly	242051A	1	
26	S30	Screw, for 242051A	11/64S40004	2	
27	2-3-3	Oil Felt	245371	1	
28	2-3-1 2-3-2 2-3-4	Needle Bar Connection Assembly	242101A	1	
29	2-3-5	Oil Felt	205171	1	
30	GS55	Screw, for 242101A	11/64S40003	1	
31	2-1	Needle Bar with Nut	242121A	1	
32	2-5	Needle Clamp Nut	242131	1	
33	2-6	Needle(DN x 1 #25)	B01002	1	
34		Oil Felt	255561	2	
35	5-5	Presser Foot Lifter Base	242172	1	
36	S47	Screw, for 242172	11/64S40002	3	
37	5-9	Presser Bar	242201	1	
38	5-7	Presser Bar Connector	242181	1	
39	GS55	Screw, for 242181	11/64S40003	1	
40	5-6	Presser Spring	242191	1	
41		Presser Foot Assembly	242231A	1	
42	5-2	Screw	9/64S40055	1	
43	5-1	Nut	9/64N40101	1	
44	GS55	Screw, for 242231A, 242233A	11/64S40005	1	
45	5-13	Washer		1	
46	5-12	Presser Foot Lifter	242161	1	
47	5-14	Screw, for 242161		1	

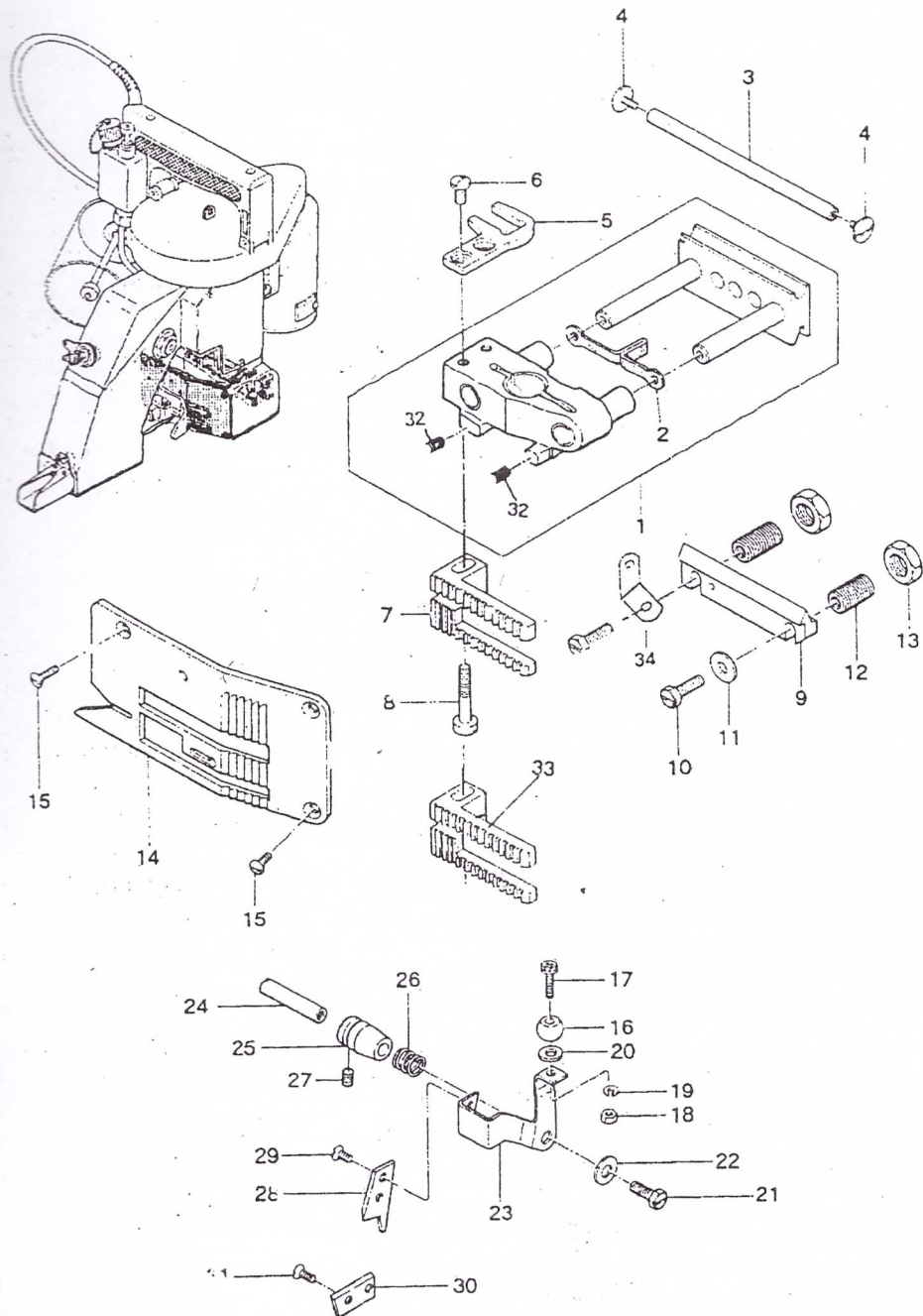
(4) LOOPER DRIVING PARTS



4) LOOPER DRIVING PARTS

Ref No.	Part No.	Description	Part No. NP-7	Q'ty	Remarks
1	3-14	Spring Suporter	243121	1	
2	S30	Screw	11/64S40	1	
3	3-12	Spring	243131	1	
4	3-13	Spring Suporter Block	243111	1	
5	3-8	Looper Rocker Shaft Arm(A)	243071	1	
6	GS55	Screw, for 243071	11/64S40	1	
7	3-11	Roller	243041	1	
8	3-9	Roller Stud Screw	243061	1	
9	3-10	Nut, for 243061	11/64N40201	1	
10	3-7	Looper Rocker Shaft Arm(B)	243081	1	
11	GS55	Screw, for 243081	11/64S40	1	
12	3-2	Looper Rocker	243092	1	
13	3-15	Screw, for 243092	11/64S40089	1	GK26-2 2
14	3-1	Looper	243102	1	
15	S40	Screw, for 243102	9/64S40001	1	
16	3-3	Looper Rocker Shaft	243032	1	
17	3-6	Looper Drive Cam	243012	1	
18	S2	Screw, for 243012	15/64S28524	2	
19	S40	Screw	9/64S40	2	
20	3-2A	Looper Rocker		1	GK26-2
21	3-1A	Looper		1	GK26-2

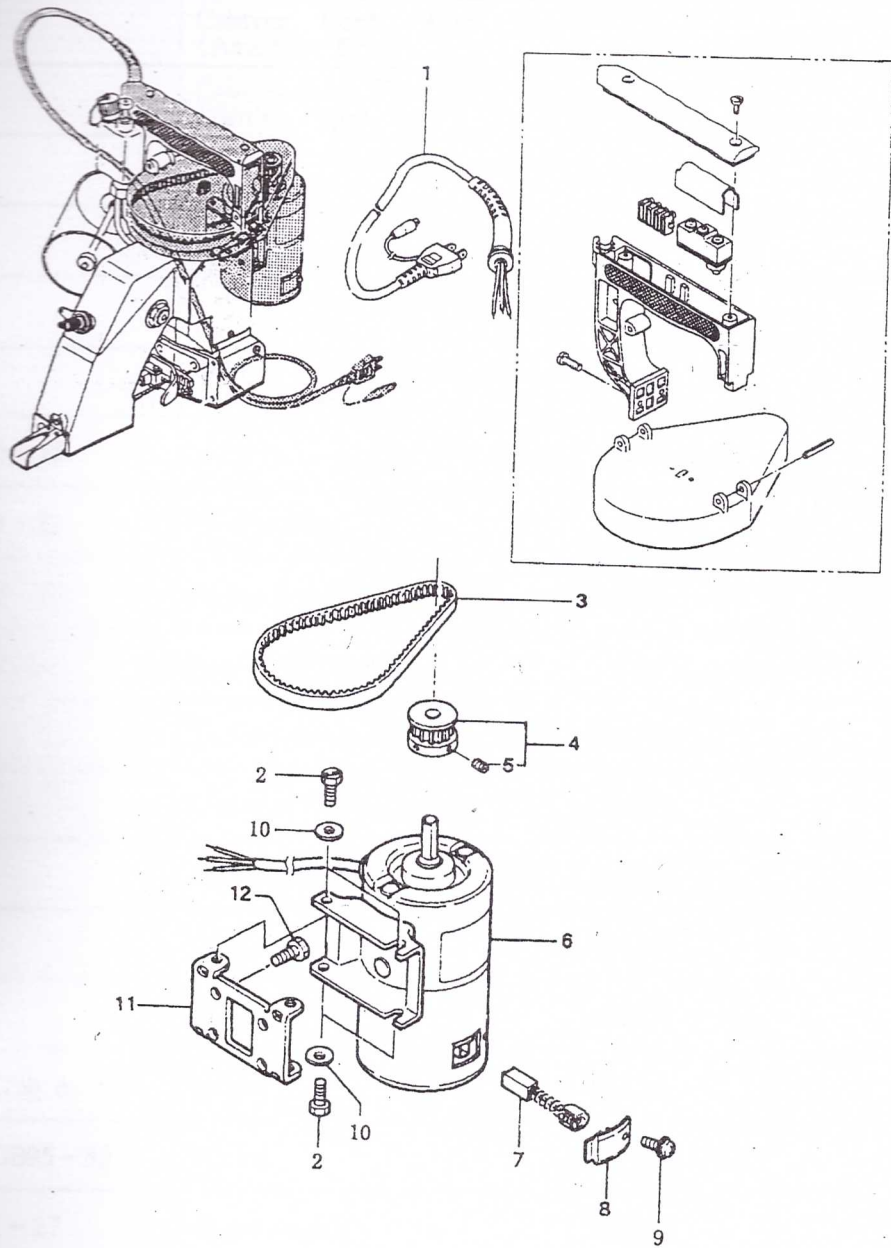
(5) FEED DRIVING AND THREAD CUTTER PARTS



5) FEED DRIVING AND THREAD CUTTER PARTS

Ref No.	Part No.	Description	Part No. NP-7	Q'ty	Remarks
1	4-18	Feed Dog Carrier Block Assembly	244011A		
2	4-21	Oil Felt	245391	1	
3	4-25	Slide Block Guide Stud	244102	1	
4	1-18	Screw, for 244102	9/64S40011	2	
5	4-15	Knife Bracket Extension	246011	1	
6	4-11	Screw, for 246011	3/16S32031	2	
7	4-14	Feed Dog	244111	1	
8	4-12	Screw, for 244111	3/16S32034	1	
9	4-24	Slide Block Adjusting	244081	1	
10	4-23	Lock Bolt, for 244091	3/16S32025	2	
11	2-24	Washer, for 244091	11/64W15103	2	GK26-2-1
12	4-2	Stud Slide Block Adjusting Support	244091	2	
13	4-1	Lock Nut, for 244091	3/8N24201	2	
14	4-13	Throat Plate	244122	1	
15	4-10	Screw, for 244122	9/64S40043	3	
16	4-9-2	Ball	246081	1	
17	GB5783-86	Bolt, for 246081 (M3 × 0.5 × 121)	4B × 12	1	
18	GB6175-86	Nut, for 246081 (M3 × 0.5)	1N3	1	
19	GB859-87	Spring Lock washer (M3)	3W3	1	
20	GB95-85	Washer, for 246081 (M3)	1W3	1	
21	GS55	Screw, for 246021	11/64S40049	1	
22	GB95-85	Washer, for 246021	11/64W15103	1	
23	4-9-1	Knife Bracket	246021	1	
24	4-5	Knife Bracket Pin	246032	1	
25	4-4	Bushing, for 246032	246042	1	
26	4-6	Knife Tension Spring	246051	1	
27	S38	Screw, for 246042	11/64S40	1	
28	4-9-3	Knife Moving	246061	1	
29	4-7	Screw, for 246061	1/8S40003	2	
30	4-8	Knife Stationary	246071	1	
31	4-7	Screw, for 246071	1/8S40003	2	
32	4-17	Screw		2	
33	4-14A	Feed Dog		1	GK26-2
34	1-35	Thread Eyelet		1	GK26-2

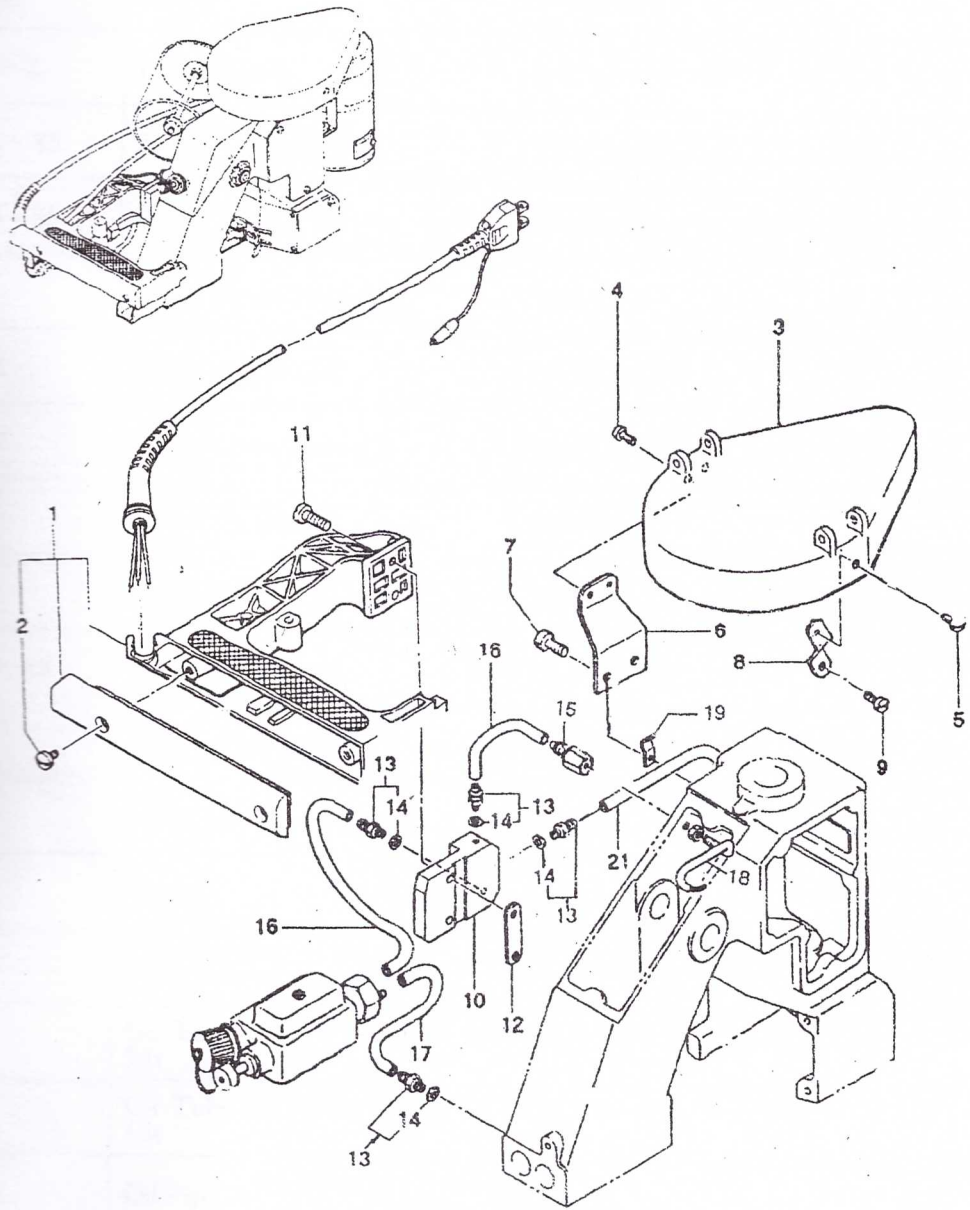
6) MOTOR, PARTS (For Totally Enclosed Type Motor)



MOTOR, PARTS (For totally Enclosed Type Motor)

No.	Part No.	Description	Part No. NP-7	Q'ty	Remarks
	1-9	Cabtyer Cord, With Plug (Standard Type)	C04001	1	
		Cabtyer Cord, With Plug (American Type)	C04003	1	
		Cabtyer Cord, Word, With Plug (British Type)	C04004	1	
		Cabtyer Cord, With Plug (German Type)	C04005	1	
		Cabtyer Cord, With Plug (French Type)	C04006	1	
		Cabtyer Cord, With Plug (Australian Type)	C404007	1	
		Cabtyer Cord, With Plug (South Africa Type)	C04012	1	
2	3-15	Screw	11/64S40091	4	
3	1-22	Timing Belt	F01001	1	
4	1-29	Motor Pulley	241083	1	
5	S58	Screw, for 241083		2	
6		Universal Motor (220V - 90W)	C01028	1	
		Universal Motor (240V - 90W)	C01029	1	
		Universal Motor (110V - 90W)	C01030	1	
7		Carbon Brush	C08004	2	
8		Cap	C07003	2	
9	G38.8-85	Screw	4S3 x 6 - W	2	
10	GE95-85	Waiber	11/64W10101	4	
11	1-27	Motor Base B	241073	1	
12	1-32	Screw, for 241073	15/64S28004	4	

(7) SPECIAL PARTS FOR GK26 - 1H



7) SPECIAL PARTS FOR GK26 - 1H

Ref. No.	Part No.	Description	Part No. NP-7	Q'ty	Remarks
1	1-2-1	Handle	241024	1	GK26-1 H
2	1-18	Screw	9/64S40011	2	
3	1-2-2	Pulley Cover	241212	1	GK26-1 H
4	GB65-85	Screw, for 241053	9/64S40004	2	GK26-1 H
5	GB65-85	Screw, for 241053	9/64S40052	1	GK26-1 H
6	7-1	Pulley Cover Holder A	241242	1	GK26-1 H
7	1-32	Screw, for 241242	15/64S28004	2	
8	7-2	Pulley Cover Holder B	241231	1	GK26-1 H
9	S40	Screw, for 241231	9/64S40005	1	
10	7-3	Handle Base	241223	1	GK26-1 H
11	GB70-85	Screw, for 241253	15/64S28032	2	
12	7-4	Handle Base Holder	241253	1	GK26-1 H
13	7-5	Joint(BN-5-6)	D07021	4	GK26-1 H
14	7-7	Washer	E03014	3	
15	6-15	Joint		1	
16		Oil Tube ($\phi 6 \times 95$), With oil felt	8FU2 - 6 \times 95F	2	
17		Oil Tube ($\phi 6 \times 70$), With oil felt	8FU2 - 6 \times 70F	1	
18	6-17	Oil Pipe	245462	1	
19	7-6	Tube Dlip	DO7009		